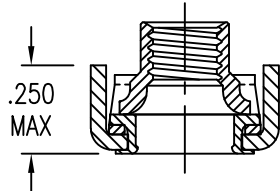


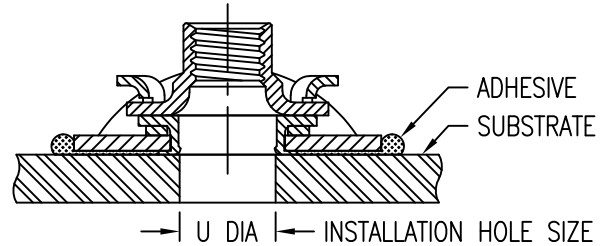
NUTPLATE ATTACHED BY ADHESIVE APPLIED TO THIS SURFACE.

DISPOSABLE ELASTIC FIXTURE HOLDS NUTPLATE WHILE ADHESIVE CURES.



NUTPLATE MEETS THE STRENGTH AND REUSABILITY REQUIREMENTS OF NASM25027.

ALL DIMENSIONS BEFORE PAINT.



NUT AND RETAINER MATERIAL AND FINISH DATA (LUBRICATION: DRI-FILM LUBE ON NUT)

CODE	NUT MATERIAL	SPEC.	RETAINER MATERIAL	SPEC.	FINISH	SPEC.
CR	A-286 CRES	AMS 5525	17-7PH, A-286, 305 CRES	AMS 5528, 5525, 5514	PASSIVATE	AMS 2700
CRA	A-286 CRES	AMS 5525	A-286, 305 CRES	AMS 5525, 5514	PASSIVATE	AMS 2700
CRC	A-286 CRES	AMS 5525	17-7PH, A-286, 305 CRES	AMS 5528, 5525, 5514	CAD PLATE	AMS-QQ-P-416

BASEPLATE MATERIAL AND FINISH DATA

CODE	MATERIAL	SPEC.	FINISH	SPEC.
A	5052 ALUMINUM	AMS 4016	NONE	
AA	5052 ALUMINUM	AMS 4016	ANODIZE	MIL-PRF-8625 TYPE I, CLASS 1
CR	304 CRES OR A-286 CRES	AMS 5513 OR AMS 5525	PASSIVATE	AMS 2700
CRA	A-286 CRES	AMS 5525	PASSIVATE	AMS 2700

THREAD DATA

CODE	THREAD SIZE
08	.1640-32 UNJC-3B
3	.1900-32 UNJF-3B

NUT HEIGHT AND THREAD RELIEF DIMENSIONS

CODE	NONE	2	3	4	5	6
R MIN	.095	.140	.203	.266	.329	.392
H MAX	.325	.387	.449	.511	.574	.637

INSTALLATION HOLE SIZE

CODE	U DIA
08	.164-.224
3	.190-.250

EXAMPLE PART NUMBER

CB2009 A 3 CRA 2 P

NOTE: FOR NON-LOCKING NUT ADD "NL" SUFFIX TO PART NUMBER.

OPTIONAL MIL-PRF-85582 BASEPLATE PRIMER
 THREAD RELIEF CODE
 NUT AND RETAINER MATERIAL - A-286 AND 305 CRES
 THREAD SIZE - .1900-32 UNJF-3B
 BASEPLATE MATERIAL - ALUMINUM
 BASIC PART NUMBER

UNLESS OTHERWISE SPECIFIED, ALL DIMENSIONS ARE IN INCHES AND TOLERANCES ARE AS SHOWN BELOW. DIMENSIONAL TOLERANCES AND SYMBOLS PER ANSI Y14.5M-1982.

PROPRIETARY PARTS SHOWN IN THIS DRAWING ARE THE SUBJECT OF ISSUED UNITED STATES AND FOREIGN PATENTS AND PATENTS PENDING. UNAUTHORIZED REPRODUCTION AND/OR DISTRIBUTION OF THIS DRAWING IS SPECIFICALLY PROHIBITED.

CLICK BOND

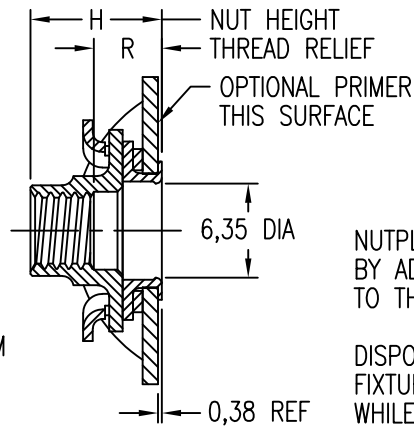
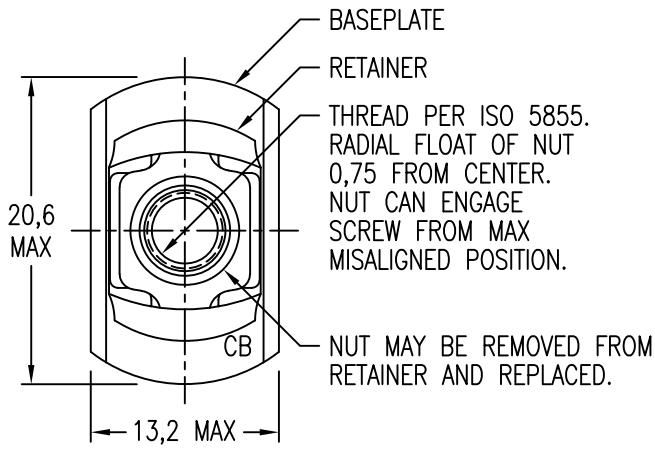
CARSON CITY
NEVADA 89706

CAD CB2009-1

APPROVALS	DATE
DRAWN <i>DAC</i>	17DEC13
CHECKED <i>DAC</i>	17AUG22
RELEASED RDH	17AUG22
REVISED <i>DAC</i>	17AUG22

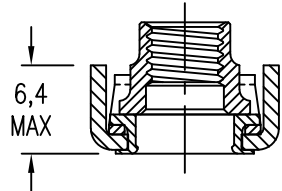
TITLE
NUTPLATE, TWO LUG, ADHESIVE BONDED

SIZE	CAGE CODE	DWG. NO.	REV.
A	66530	CB2009	19
SCALE	2/1	17AUG22	SHEET 1 OF 2



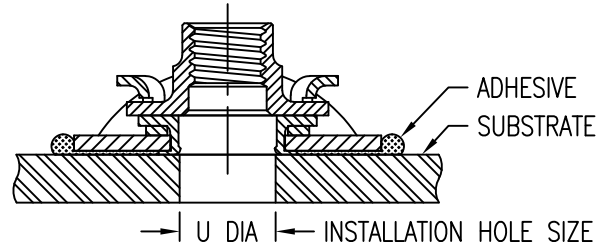
NUTPLATE ATTACHED BY ADHESIVE APPLIED TO THIS SURFACE.

DISPOSABLE ELASTIC FIXTURE HOLDS NUTPLATE WHILE ADHESIVE CURES.



NUTPLATE MEETS THE STRENGTH AND REUSABILITY REQUIREMENTS OF ISO 5858 (900 MPa).

ALL DIMENSIONS BEFORE PAINT.



NUT AND RETAINER MATERIAL AND FINISH DATA (LUBRICATION: DRI-FILM LUBE ON NUT)

CODE	NUT MATERIAL	SPEC.	RETAINER MATERIAL	SPEC.	FINISH	SPEC.
CR	A-286 CRES	AMS 5525	17-7PH, A-286, 305 CRES	AMS 5528, 5525, 5514	PASSIVATE	AMS 2700
CRA	A-286 CRES	AMS 5525	A-286, 305 CRES	AMS 5525, 5514	PASSIVATE	AMS 2700
CRC	A-286 CRES	AMS 5525	17-7PH, A-286, 305 CRES	AMS 5528, 5525, 5514	CAD PLATE	AMS-QQ-P-416

BASEPLATE MATERIAL AND FINISH DATA

CODE	MATERIAL	SPEC.	FINISH	SPEC.
A	5052 ALUMINUM	AMS 4016	NONE	
AA	5052 ALUMINUM	AMS 4016	ANODIZE	MIL-PRF-8625 TYPE I, CLASS 1
CR	304 CRES OR A-286 CRES	AMS 5513 OR AMS 5525	PASSIVATE	AMS 2700
CRA	A-286 CRES	AMS 5525	PASSIVATE	AMS 2700

THREAD DATA

CODE	THREAD SIZE
4M	MJ4 X 0,7 4H6H
5M	MJ5 X 0,8 4H6H

NUT HEIGHT AND THREAD RELIEF DIMENSIONS

CODE	NONE	2	3	4	5	6
R MIN	2,3	3,5	5,1	6,7	8,3	9,9
H MAX	8,3	9,9	11,5	13,0	14,6	16,2

INSTALLATION HOLE SIZE

CODE	U DIA
4M	4,00-5,50
5M	5,00-6,50

EXAMPLE PART NUMBER

CB2009 A 5M CRA 2 P

NOTE: FOR NON-LOCKING NUT ADD "NL" SUFFIX TO PART NUMBER.

OPTIONAL MIL-PRF-85582 BASEPLATE PRIMER
 THREAD RELIEF CODE
 NUT AND RETAINER MATERIAL - A-286 AND 305 CRES
 THREAD SIZE - MJ5 X 0,8 4H6H
 BASEPLATE MATERIAL - ALUMINUM
 BASIC PART NUMBER

UNLESS OTHERWISE SPECIFIED, ALL DIMENSIONS ARE IN MILLIMETERS AND TOLERANCES ARE AS SHOWN BELOW. DIMENSIONAL TOLERANCES AND SYMBOLS PER ANSI Y14.5M-1982.

PROPRIETARY PARTS SHOWN IN THIS DRAWING ARE THE SUBJECT OF ISSUED UNITED STATES AND FOREIGN PATENTS AND PATENTS PENDING. UNAUTHORIZED REPRODUCTION AND/OR DISTRIBUTION OF THIS DRAWING IS SPECIFICALLY PROHIBITED.



CARSON CITY
NEVADA 89706

CAD CB2009-2 METRIC DIMENSIONS		APPROVALS		DATE	TITLE			
DRAWN DAC		CHECKED DAC		17DEC13	NUTPLATE, TWO LUG, ADHESIVE BONDED			
ANGLES	±1°	RELEASED RDH		17AUG22	SIZE	CAGE CODE	DWG. NO.	REV.
.X	±0,8	REVISED DAC		17AUG22	A	66530	CB2009 (METRIC)	19
.XX	±0,25				SCALE	2/1	17AUG22	SHEET 2 OF 2