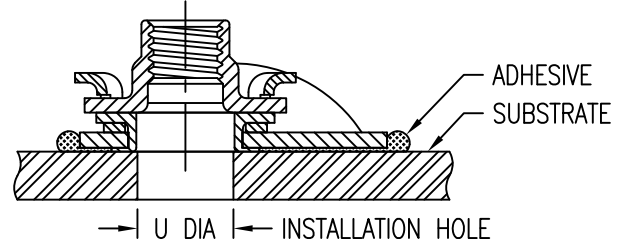


NUTPLATE MEETS THE STRENGTH  
REQUIREMENTS OF NASM25027.



THREAD AND DIMENSION DATA (MINIMUM NUT HEIGHT H LIMITED BY STRENGTH REQUIREMENTS ONLY)

CODE	THREAD SIZE	A MAX	B MAX	C MAX	D DIA	E MAX	U DIA	NUT HEIGHT AND THREAD RELIEF DIMENSIONS						
								CODE	NONE	2	3	4	5	6
08	.1640-32 UNJC-3B	.948	.525	.35	.250	.300	.164-.224	R ±.025	.120	.165	.228	.291	.354	.417
3	.1900-32 UNJF-3B							H ±.025	.300	.362	.424	.486	.549	.612
4	.2500-28 UNJF-3B	1.292	.610	.45	.310	.350	.250-.312	R ±.025	.150	.235	.298	.361	.424	.488
								H ±.025	.362	.424	.487	.549	.609	.672

MATERIAL AND FINISH DATA

CODE	NUT MATERIAL	SPEC.	RETAINER MATERIAL	SPEC.	PASSIVATE
CR	A-286 CRES	AMS 5525	17-7PH, A-286, 304, 305 CRES	AMS 5528, 5525, 5513, 5514	AMS 2700
CRA	A-286 CRES	AMS 5525	A-286, 304, 305 CRES	AMS 5525, 5513, 5514	AMS 2700

BASEPLATE MATERIAL

CODE	MATERIAL	SPEC.
C	CARBON/EPOXY, 350°F CURE	CBMS-105
E	GLASS/EPOXY, 350°F CURE	CBMS-106
G	GLASS/EPOXY, 250°F CURE	CBMS-107

NOTE: FOR NON-LOCKING NUT ADD "NL" SUFFIX TO PART NUMBER.

EXAMPLE PART NUMBER

CB4011 G 3 CRA 2



UNLESS OTHERWISE SPECIFIED, ALL DIMENSIONS ARE  
IN INCHES AND TOLERANCES ARE AS SHOWN BELOW.  
DIMENSIONAL TOLERANCES AND SYMBOLS PER ANSI  
Y14.5M-1982.

PROPRIETARY PARTS SHOWN IN THIS DRAWING ARE THE SUBJECT  
OF ISSUED UNITED STATES AND FOREIGN PATENTS AND PATENTS  
PENDING.  
UNAUTHORIZED REPRODUCTION AND/OR DISTRIBUTION OF THIS  
DRAWING IS SPECIFICALLY PROHIBITED.

**CLICK BOND**

CARSON CITY  
NEVADA 89706

CAD CB4011-1

APPROVALS

DATE

TITLE

ANGLES ±1°

DRAWN DAC

3DEC13

NUTPLATE, ONE LUG, COMPOSITE BASE

.XX ±.03

CHECKED DAC/mtm

3DEC13

SIZE

CAGE CODE

DWG. NO.

REV.

.XXX ±.010

RELEASED DAC/mtm

3DEC13

A

66530

CB4011

11

.XXXX ±.001

REVISED DAC

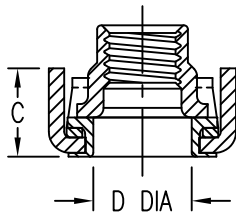
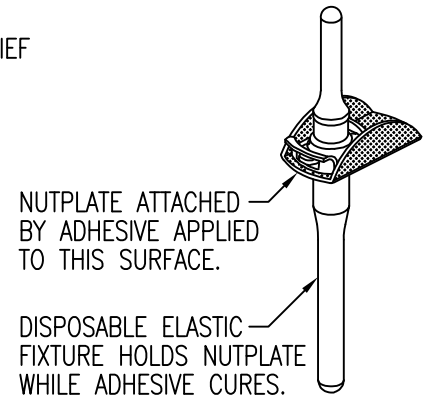
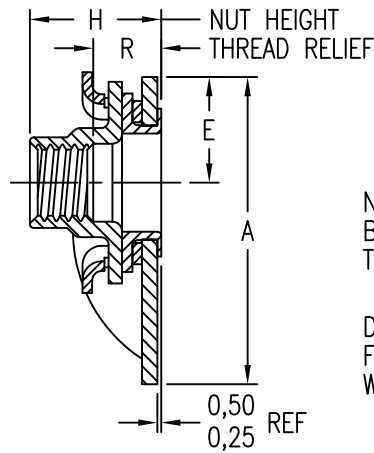
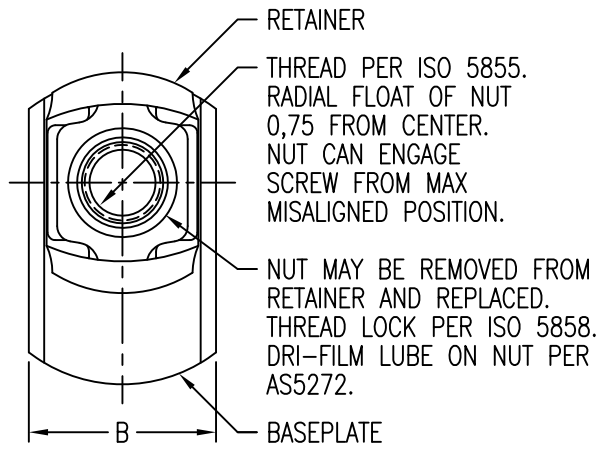
3DEC13

SCALE

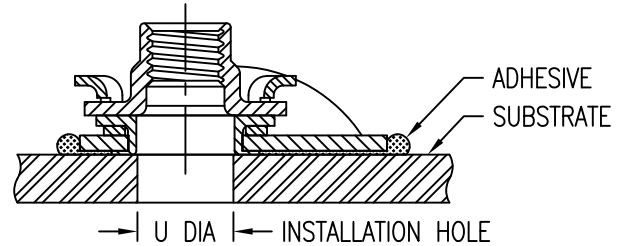
2/1

3DEC13

SHEET 1 OF 2



NUTPLATE MEETS THE STRENGTH  
REQUIREMENTS OF ISO 5858 (900 MPa).



THREAD AND DIMENSION DATA (MINIMUM NUT HEIGHT H LIMITED BY STRENGTH REQUIREMENTS ONLY)

CODE	THREAD SIZE	A MAX	B MAX	C MAX	D DIA	E MAX	U DIA	NUT HEIGHT AND THREAD RELIEF DIMENSIONS						
								CODE	NONE	2	3	4	5	6
4M	MJ4 X 0,7 4H6H	24,1	13,4	8,9	6,35	7,65	4,00-5,50	R ±0,65	3,05	4,19	5,79	7,39	8,99	10,59
5M	MJ5 X 0,8 4H6H						H ±0,65	7,62	9,19	10,77	12,34	13,94	15,54	
6M	MJ6 X 1,0 4H5H	32,9	15,5	11,5	7,87	8,90	6,00-7,50	R ±0,65	3,81	5,97	7,57	9,17	10,77	12,40
								H ±0,65	9,19	10,77	12,37	13,94	15,47	17,07

MATERIAL AND FINISH DATA

CODE	NUT MATERIAL	SPEC.	RETAINER MATERIAL	SPEC.	PASSIVATE
CR	A-286 CRES	AMS 5525	17-7PH, A-286, 304, 305 CRES	AMS 5528, 5525, 5513, 5514	AMS 2700
CRA	A-286 CRES	AMS 5525	A-286, 304, 305 CRES	AMS 5525, 5513, 5514	AMS 2700

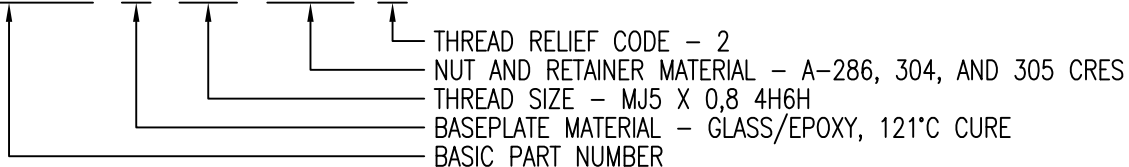
BASEPLATE MATERIAL

CODE	MATERIAL	SPEC.
C	CARBON/EPOXY, 177°C CURE	CBMS-105
E	GLASS/EPOXY, 177°C CURE	CBMS-106
G	GLASS/EPOXY, 121°C CURE	CBMS-107

NOTE: FOR NON-LOCKING NUT ADD "NL" SUFFIX TO PART NUMBER.

EXAMPLE PART NUMBER

CB4011 G 5M CRA 2



UNLESS OTHERWISE SPECIFIED, ALL DIMENSIONS ARE  
IN MILLIMETERS AND TOLERANCES ARE AS SHOWN  
BELOW. DIMENSIONAL TOLERANCES AND SYMBOLS  
PER ANSI Y14.5M-1982.

PROPRIETARY PARTS SHOWN IN THIS DRAWING ARE THE SUBJECT  
OF ISSUED UNITED STATES AND FOREIGN PATENTS AND PATENTS  
PENDING. UNAUTHORIZED REPRODUCTION AND/OR DISTRIBUTION OF THIS  
DRAWING IS SPECIFICALLY PROHIBITED.

**CLICK BOND**

CARSON CITY  
NEVADA 89706

CAD CB4011-2 METRIC DIMENSIONS	
ANGLES	±1°
.X	±0,8
.XX	±0,25

APPROVALS	DATE
DRAWN DAC	3DEC13
CHECKED DAC/mtm	3DEC13
RELEASED ABC/mtm	3DEC13
REVISED DAC	3DEC13

TITLE NUTPLATE, ONE LUG, COMPOSITE BASE			
SIZE	CAGE CODE	DWG. NO.	REV.
A	66530	CB4011 (METRIC)	11
SCALE	2/1	3DEC13	SHEET 2 OF 2