

THREAD AND DIMENSION DATA (ALL DIMENSIONS BEFORE PAINT)

| PART NUMBER       | THREAD T         | B MAX | D MIN | E MAX | H MAX | R MIN |
|-------------------|------------------|-------|-------|-------|-------|-------|
| CB6013CR08( )1( ) | .1640-32 UNJC-3B | .454  | .224  | .187  | .250  | .070  |
| CB6013CR3( )1( )  |                  |       |       |       | .250  | .070  |
| CB6013CR3( )2( )  |                  |       |       |       | .312  | .125  |
| CB6013CR3( )3( )  |                  |       |       |       | .375  | .188  |
| CB6013CR3( )4( )  |                  |       |       |       | .437  | .250  |
| CB6013CR3( )5( )  |                  |       |       |       | .500  | .313  |
| CB6013CR3( )6( )  | .1900-32 UNJF-3B | .454  | .250  | .187  | .562  | .375  |
| CB6013CR4( )1( )  |                  |       |       |       | .295  | .070  |
| CB6013CR4( )2( )  |                  |       |       |       | .357  | .125  |
| CB6013CR4( )3( )  |                  |       |       |       | .419  | .188  |
| CB6013CR4( )4( )  |                  |       |       |       | .481  | .250  |
| CB6013CR4( )5( )  |                  |       |       |       | .543  | .313  |
| CB6013CR4( )6( )  | .2500-28 UNJF-3B | .554  | .312  | .218  | .605  | .375  |
| CB6013CR5( )1( )  |                  |       |       |       | .344  | .070  |
| CB6013CR5( )2( )  |                  |       |       |       | .400  | .125  |
| CB6013CR5( )3( )  |                  |       |       |       | .461  | .188  |
| CB6013CR5( )4( )  |                  |       |       |       | .524  | .250  |
| CB6013CR5( )5( )  |                  |       |       |       | .586  | .313  |
| CB6013CR5( )6( )  | .3125-24 UNJF-3B | .650  | .375  | .276  | .649  | .375  |

UNLESS OTHERWISE SPECIFIED, ALL DIMENSIONS ARE IN INCHES AND TOLERANCES ARE AS SHOWN BELOW. DIMENSIONAL TOLERANCES AND SYMBOLS PER ANSI Y14.5M-1982.

PROPRIETARY PARTS SHOWN IN THIS DRAWING ARE THE SUBJECT OF ISSUED UNITED STATES AND FOREIGN PATENTS AND PATENTS PENDING. UNAUTHORIZED REPRODUCTION AND/OR DISTRIBUTION OF THIS DRAWING IS SPECIFICALLY PROHIBITED.

**CLICK BOND**

CARSON CITY  
NEVADA 89706

|              |       |           |         |         |                                       |           |          |         |
|--------------|-------|-----------|---------|---------|---------------------------------------|-----------|----------|---------|
| CAD CB6013-1 |       | APPROVALS |         | DATE    | TITLE                                 |           |          |         |
| ANGLES       | ±1°   | DRAWN     | DAC     | 10FEB06 | NUTPLATE, TRIPLE NUT, ADHESIVE BONDED |           |          |         |
| .XX          | ±.03  | CHECKED   | DDC/mtm | 10FEB06 | SIZE                                  | CAGE CODE | DWG. NO. | REV.    |
| .XXX         | ±.010 | RELEASED  | CGH     | 10FEB06 | A                                     | 66530     | CB6013   | 9       |
| .XXXX        | ±.001 | REVISED   | DAC     | 10FEB06 | SCALE                                 | 2/1       |          | 10FEB06 |
|              |       |           |         |         |                                       |           | SHEET    | 1 OF 4  |

NUT SPACING DIMENSION DATA

| NUT SPACING CODE<br>(IN EIGHTHS OF AN INCH) | P     | A MAX FOR THD SIZES |       |       |
|---|-------|---------------------|-------|-------|
|   |       | 08 AND 3            | 4     | 5     |
| -5  | .625  | 1.635               | -     | -     |
| -6  | .750  | 1.885               | 1.954 | -     |
| -7  | .875  | 2.135               | 2.195 | 2.312 |
| -8  | 1.000 | 2.385               | 2.445 | 2.562 |
| -9  | 1.125 | 2.635               | 2.695 | 2.812 |
| -10   | 1.250 | 2.885               | 2.945 | 3.062 |

INSTALLATION HOLE SIZE DATA

| THREAD CODE | U MIN | U MAX |
|-------------|-------|-------|
| 08          | .164  | .224  |
| 3           | .190  | .250  |
| 4           | .250  | .312  |
| 5           | .312  | .375  |

BASEPLATE MATERIAL AND FINISH DATA

| CODE | MATERIAL   | SPEC.    | PASSIVATE |
|------|------------|----------|-----------|
| CR   | A-286 CRES | AMS 5525 | AMS 2700  |

NUT MATERIAL AND FINISH DATA (SEE CB6001)

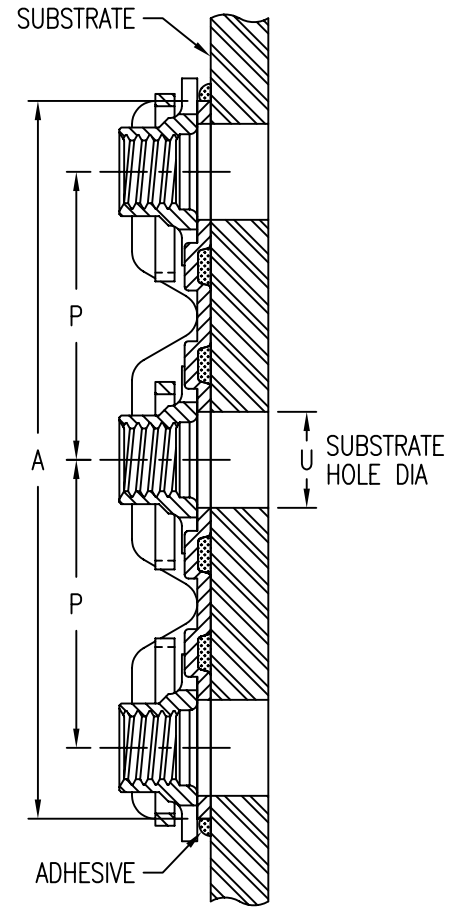
| CODE | MATERIAL   | FINISH       | LUBRICATION   |
|------|------------|--------------|---------------|
| -    | A-286 CRES | PASSIVATE    | DRI-FILM LUBE |
| CRC  | A-286 CRES | CAD PLATE    | DRI-FILM LUBE |
| CRS  | A-286 CRES | SILVER PLATE | NONE          |

CLIP MATERIAL AND FINISH DATA (SEE CB6002)

| CODE | MATERIAL                         | FINISH    |
|------|----------------------------------|-----------|
| CR   | 302, 18-2 MN, OR UNS S24100 CRES | PASSIVATE |

OPTIONAL BASEPLATE PRIMER

| CODE | MATERIAL SPEC. |
|------|----------------|
| -    | NONE           |
| P    | MIL-PRF-85582  |

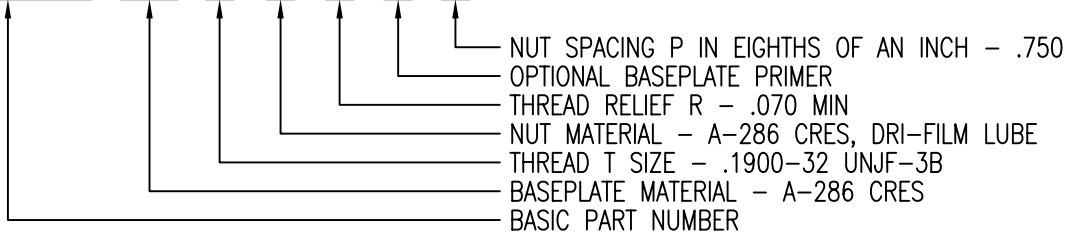


NOTES: (NOTES 1 AND 2: PART NUMBER CHANGE 18NOV96, NUTPLATE DESIGN SAME. NOTES 3 AND 4: 10FEB06.)

- PART NUMBER CB6013CR2( )1( ) IS INACTIVE FOR NEW DESIGN. USE PART NUMBER CB6013CR08( )1( ) ( ).
- PART NUMBER CB6013CR( )CR( ) ( ) IS INACTIVE FOR NEW DESIGN. USE PART NUMBER CB6013CR( )-( ) ( ) ( ).
- CB6013A( ) ( ) ( ) ( ) NUTPLATES ARE INACTIVE FOR DESIGN AND PROCUREMENT. USE CB6013CR( ) ( ) ( ) ( ).
- CB6013AA( ) ( ) ( ) ( ) NUTPLATES ARE INACTIVE FOR DESIGN AND PROCUREMENT. USE CB6013CR( ) ( ) ( ) ( ).

EXAMPLE PART NUMBER

CB6013 CR 3 - 1 P 6



"NL" SUFFIX TO PART NUMBER INDICATES NON-LOCKING NUT ELEMENT.

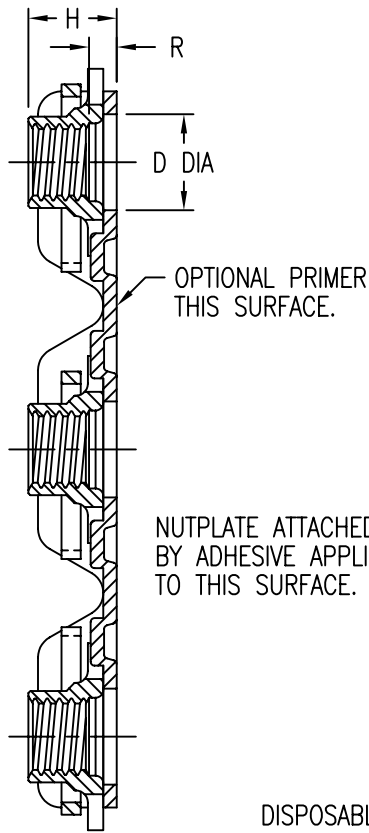
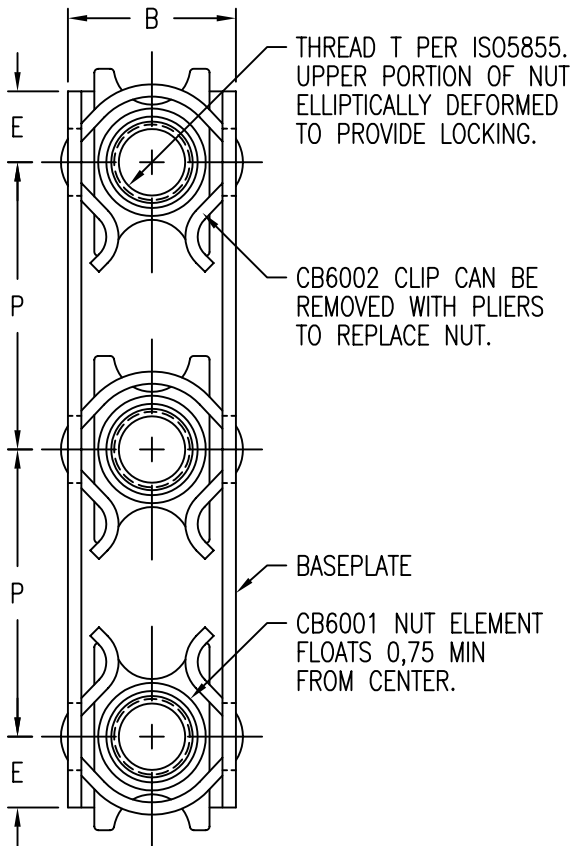
UNLESS OTHERWISE SPECIFIED, ALL DIMENSIONS ARE IN INCHES AND TOLERANCES ARE AS SHOWN BELOW. DIMENSIONAL TOLERANCES AND SYMBOLS PER ANSI Y14.5M-1982.

PROPRIETARY PARTS SHOWN IN THIS DRAWING ARE THE SUBJECT OF ISSUED UNITED STATES AND FOREIGN PATENTS AND PATENTS PENDING. UNAUTHORIZED REPRODUCTION AND/OR DISTRIBUTION OF THIS DRAWING IS SPECIFICALLY PROHIBITED.

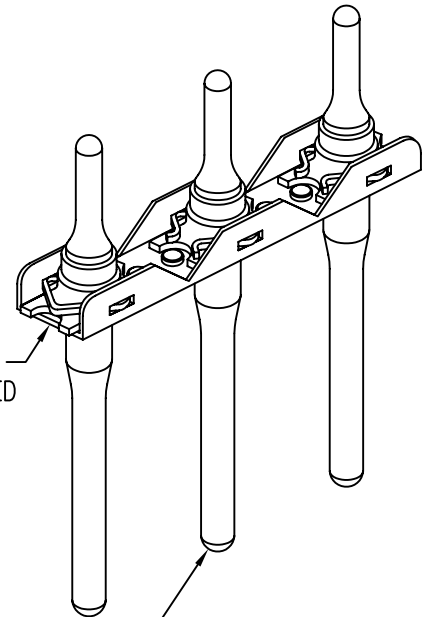
**GLICK BOND**

CARSON CITY  
NEVADA 89706

| CAD CB6013-2 |       | APPROVALS | DATE    | TITLE                                 |             |          |              |
|--------------|-------|-----------|---------|---------------------------------------|-------------|----------|--------------|
| ANGLES       | ±1°   | DRAWN     | 10FEB06 | NUTPLATE, TRIPLE NUT, ADHESIVE BONDED |             |          |              |
| .XX          | ±.03  | CHECKED   | 10FEB06 | SIZE                                  | CAGE CODE   | DWG. NO. | REV.         |
| .XXX         | ±.010 | RELEASED  | 10FEB06 | A                                     | 66530       | CB6013   | 9            |
| .XXXX        | ±.001 | REVISED   | 10FEB06 | SCALE                                 | 2/1 10FEB06 |          | SHEET 2 OF 4 |



NUTPLATE MEETS THE STRENGTH REQUIREMENTS OF ISO5858.



DISPOSABLE ELASTIC FIXTURES HOLDS NUTPLATE WHILE ADHESIVE CURES.

THREAD AND DIMENSION DATA (ALL DIMENSIONS BEFORE PAINT)

| PART NUMBER            | THREAD T       | B MAX | D MIN | E MAX | H MAX | R MIN |
|------------------------|----------------|-------|-------|-------|-------|-------|
| CB6013CR4M( )1( ) ( )  | MJ4 X 0,7 4H6H | 11,6  | 5,50  | 4,8   | 5,2   | 1,6   |
| CB6013CR5M( )1( ) ( )  |                |       |       |       | 6,2   | 1,6   |
| CB6013CR5M( )4( ) ( )  |                |       |       |       | 8,0   | 4,0   |
| CB6013CR5M( )6( ) ( )  |                |       |       |       | 10,0  | 6,0   |
| CB6013CR5M( )8( ) ( )  |                |       |       |       | 12,0  | 8,0   |
| CB6013CR5M( )10( ) ( ) |                |       |       |       | 14,0  | 10,0  |
| CB6013CR6M( )1( ) ( )  | MJ6 X 1,0 4H5H | 14,1  | 7,50  | 5,6   | 7,1   | 1,6   |
| CB6013CR6M( )4( ) ( )  |                |       |       |       | 9,0   | 4,0   |
| CB6013CR6M( )6( ) ( )  |                |       |       |       | 11,0  | 6,0   |
| CB6013CR6M( )8( ) ( )  |                |       |       |       | 13,0  | 8,0   |
| CB6013CR6M( )10( ) ( ) |                |       |       |       | 15,0  | 10,0  |
| CB6013CR8M( )1( ) ( )  | MJ8 X 1,0 4H5H | 16,6  | 9,50  | 7,1   | 8,2   | 1,6   |
| CB6013CR8M( )4( ) ( )  |                |       |       |       | 11,0  | 4,0   |
| CB6013CR8M( )6( ) ( )  |                |       |       |       | 13,0  | 6,0   |
| CB6013CR8M( )8( ) ( )  |                |       |       |       | 15,0  | 8,0   |
| CB6013CR8M( )10( ) ( ) |                |       |       |       | 17,0  | 10,0  |

UNLESS OTHERWISE SPECIFIED, ALL DIMENSIONS ARE IN MILLIMETERS AND TOLERANCES ARE AS SHOWN BELOW. DIMENSIONAL TOLERANCES AND SYMBOLS PER ANSI Y14.5M-1982.

PROPRIETARY PARTS SHOWN IN THIS DRAWING ARE THE SUBJECT OF ISSUED UNITED STATES AND FOREIGN PATENTS AND PATENTS PENDING. UNAUTHORIZED REPRODUCTION AND/OR DISTRIBUTION OF THIS DRAWING IS SPECIFICALLY PROHIBITED.

**CLICK BOND**

CARSON CITY  
NEVADA 89706

CAD CB6013-3  
METRIC DIMENSIONS

|        |       |
|--------|-------|
| ANGLES | ±1°   |
| .X     | ±0,8  |
| .XX    | ±0,25 |

| APPROVALS               | DATE    |
|-------------------------|---------|
| DRAWN <i>DAC</i>        | 10FEB06 |
| CHECKED <i>DAC/John</i> | 10FEB06 |
| RELEASED <i>CGH</i>     | 10FEB06 |
| REVISED <i>DAC</i>      | 10FEB06 |

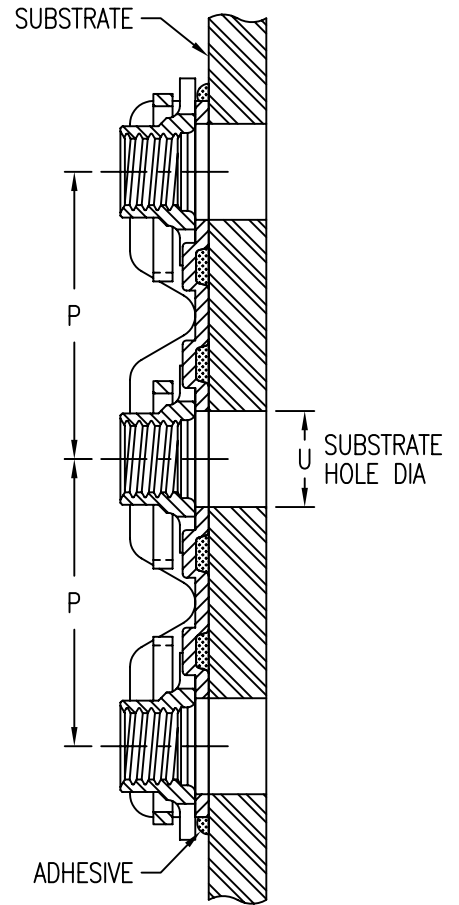
|  |                    |                             |           |
|--|--------------------|-----------------------------|-----------|
| TITLE<br>NUTPLATE, TRIPLE NUT, ADHESIVE BONDED |                    |                             |           |
| SIZE<br>A                                      | CAGE CODE<br>66530 | DWG. NO.<br>CB6013 (METRIC) | REV.<br>9 |
| SCALE<br>2/1                                   | 10FEB06            | SHEET<br>3                  | OF<br>4   |

NUT SPACING DATA

| THREAD CODE | P MIN | P MAX |
|-------------|-------|-------|
| 4M          | 16,0  | 32,0  |
| 5M          | 16,0  | 32,0  |
| 6M          | 19,0  | 32,0  |
| 8M          | 22,0  | 32,0  |

INSTALLATION HOLE SIZE DATA

| THREAD CODE | U MIN | U MAX |
|-------------|-------|-------|
| 4M          | 4,00  | 5,50  |
| 5M          | 5,00  | 6,35  |
| 6M          | 6,00  | 7,50  |
| 8M          | 8,00  | 9,50  |



BASEPLATE MATERIAL AND FINISH DATA

| CODE | MATERIAL   | SPEC.    | PASSIVATE |
|------|------------|----------|-----------|
| CR   | A-286 CRES | AMS 5525 | AMS 2700  |

NUT MATERIAL AND FINISH DATA (SEE CB6001)

| CODE | MATERIAL   | FINISH       | LUBRICATION   |
|------|------------|--------------|---------------|
| NONE | A-286 CRES | PASSIVATE    | DRI-FILM LUBE |
| CRC  | A-286 CRES | CAD PLATE    | DRI-FILM LUBE |
| CRS  | A-286 CRES | SILVER PLATE | NONE          |

CLIP MATERIAL AND FINISH DATA (SEE CB6002)

| CODE | MATERIAL                         | FINISH    |
|------|----------------------------------|-----------|
| CR   | 302, 18-2 MN, OR UNS S24100 CRES | PASSIVATE |

OPTIONAL BASEPLATE PRIMER

| CODE | MATERIAL SPEC. |
|------|----------------|
| -    | NONE           |
| P    | MIL-PRF-85582  |

EXAMPLE PART NUMBER

CB6013 CR 5M 1 P 19

"NL" SUFFIX TO PART NUMBER INDICATES NON-LOCKING NUT ELEMENT.

- NUT SPACING P IN MILLIMETERS - 19,0
- OPTIONAL BASEPLATE PRIMER
- THREAD RELIEF R - 1,6 MIN
- NUT MATERIAL - A-286 CRES, DRI-FILM LUBE
- THREAD T SIZE - MJ5 X 0,8 4H6H
- BASEPLATE MATERIAL - A-286 CRES
- BASIC PART NUMBER

UNLESS OTHERWISE SPECIFIED, ALL DIMENSIONS ARE IN MILLIMETERS AND TOLERANCES ARE AS SHOWN BELOW. DIMENSIONAL TOLERANCES AND SYMBOLS PER ANSI Y14.5M-1982.

PROPRIETARY PARTS SHOWN IN THIS DRAWING ARE THE SUBJECT OF ISSUED UNITED STATES AND FOREIGN PATENTS AND PATENTS PENDING. UNAUTHORIZED REPRODUCTION AND/OR DISTRIBUTION OF THIS DRAWING IS SPECIFICALLY PROHIBITED.

**GLICK BOND**

CARSON CITY  
NEVADA 89706

CAD CB6013-4  
METRIC DIMENSIONS

| APPROVALS              | DATE    |
|------------------------|---------|
| DRAWN <i>DAC</i>       | 10FEB06 |
| CHECKED <i>DAC/mtm</i> | 10FEB06 |
| RELEASED <i>CGH</i>    | 10FEB06 |
| REVISED <i>DAC</i>     | 10FEB06 |

TITLE  
NUTPLATE, TRIPLE NUT, ADHESIVE BONDED

|        |       |
|--------|-------|
| ANGLES | ±1°   |
| .X     | ±0,8  |
| .XX    | ±0,25 |

| SIZE         | CAGE CODE | DWG. NO.        | REV.    |
|--------------|-----------|-----------------|---------|
| A            | 66530     | CB6013 (METRIC) | 9       |
| SCALE        | 2/1       |                 | 10FEB06 |
| SHEET 4 OF 4 |           |                 |         |