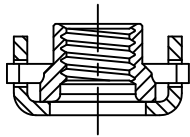


NUTPLATE ATTACHED BY ADHESIVE APPLIED TO THIS SURFACE.

DISPOSABLE ELASTIC FIXTURE HOLDS NUTPLATE WHILE ADHESIVE CURES.



NUTPLATE MEETS THE STRENGTH REQUIREMENTS OF NASM25027.

THREAD AND DIMENSION DATA (ALL DIMENSIONS BEFORE PAINT)

PART NUMBER	THREAD SIZE	A MAX	B MAX	D MIN	E MAX	H MAX	R MIN	WEIGHT * (A-286 CRES) LB/100	WEIGHT * (ALUMINUM) LB/100
CB8011()08()1	.1640-32 UNJC-3B	.745	.454	.224	.285	.250	.070	.60	.37
CB8011()3()1	.1900-32 UNJF-3B	.745	.454	.250	.285	.250	.070	.63	.40
CB8011()3()2						.312	.125	.68	.45
CB8011()3()3						.375	.188	.73	.50
CB8011()3()4						.438	.250	.80	.57
CB8011()3()5						.500	.313	.84	.61
CB8011()3()6						.562	.375	.89	.66
CB8011()4()1	.2500-28 UNJF-3B	.948	.554	.312	.360	.295	.070	1.14	.72
CB8011()4()2						.357	.125	1.19	.77
CB8011()4()3						.419	.188	1.23	.81
CB8011()4()4						.481	.250	1.32	.90
CB8011()4()5						.543	.313	1.41	.99
CB8011()4()6						.605	.375	1.51	1.09
CB8011()5()1	.3125-24 UNJF-3B	1.042	.650	.375	.410	.344	.070	1.60	1.06
CB8011()5()2						.400	.125	1.66	1.12
CB8011()5()3						.461	.188	1.77	1.23
CB8011()5()4						.524	.250	1.89	1.35
CB8011()5()5						.586	.313	2.00	1.46
CB8011()5()6						.649	.375	2.11	1.57
CB8011()6()1	.3750-24 UNJF-3B	1.182	.750	.437	.460	.380	.070	2.62	1.65
CB8011()6()2						.430	.125	2.74	1.77
CB8011()6()3						.500	.188	2.86	1.89

* APPROXIMATE WEIGHT WITHOUT INSTALLATION FIXTURE (BASEPLATE MATERIAL IN PARENTHESIS).

UNLESS OTHERWISE SPECIFIED, ALL DIMENSIONS ARE IN INCHES AND TOLERANCES ARE AS SHOWN BELOW. DIMENSIONAL TOLERANCES AND SYMBOLS PER ANSI Y14.5M-1982.

PROPRIETARY PARTS SHOWN IN THIS DRAWING ARE THE SUBJECT OF ISSUED UNITED STATES AND FOREIGN PATENTS AND PATENTS PENDING. UNAUTHORIZED REPRODUCTION AND/OR DISTRIBUTION OF THIS DRAWING IS SPECIFICALLY PROHIBITED.



CARSON CITY NEVADA 89706

CAD CB8011-1

APPROVALS DATE

TITLE

ANGLES ±1°

DRAWN *DAC* 3FEB15

NUTPLATE, ONE LUG, ADHESIVE BONDED

.XX ±.03

CHECKED *DAC* 3FEB15

SIZE A CAGE CODE 66530 DWG. NO. CB8011 REV. 6

.XXX ±.010

RELEASED *DAC* 3FEB15

SCALE 2/1 3FEB15 SHEET 1 OF 4

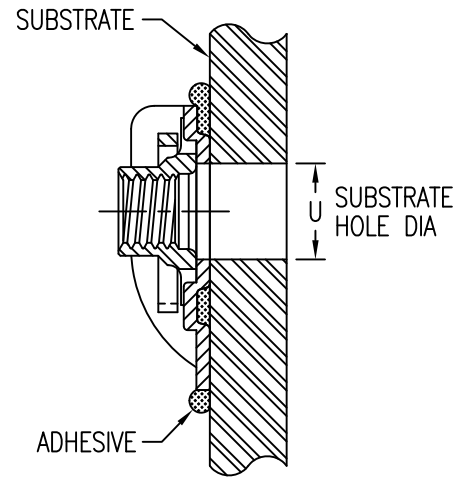
.XXXX ±.001

REVISED *DAC* 3FEB15

INSTALLATION HOLE SIZE AND REPLACEMENT COMPONENTS

SIZE	U DIA	NUT PART NO. *	CLIP PART NO.
08	.164-.224	CB8001()08-1()	CB8002-08
3	.190-.250	CB8001()3-() ()	CB8002-3
4	.250-.312	CB8001()4-() ()	CB8002-4
5	.312-.375	CB8001()5-() ()	CB8002-5
6	.375-.437	CB8001()6-() ()	CB8002-6

* FIRST () INDICATES NUT MATERIAL CODE
 DASH NUMBER SAME AS NUTPLATE THREAD RELIEF CODE
 "NL" SUFFIX INDICATES NON-LOCKING NUT ELEMENT
 "R" SUFFIX INDICATES HIGH REUSE NUT ELEMENT



BASEPLATE MATERIAL AND FINISH DATA

CODE	MATERIAL	SPEC.	FINISH	SPEC.
A	ALUMINUM	AMS-QQ-A-250	NONE	
AA	ALUMINUM	AMS-QQ-A-250	ANODIZE	MIL-A-8625 TYPE 1
CR	A-286 CRES	AMS 5525	PASSIVATE	AMS 2700

NUT MATERIAL, FINISH, AND REUSABILITY TEST BOLT REQUIREMENT (SEE CB8001)

CODE	MATERIAL	FINISH	SPEC.	DRI-FILM LUBE	REUSABILITY TEST BOLT
-	A-286 CRES	PASSIVATE	AMS 2700	AS5272	CRES
CRT	A-286 CRES	COPPER PLATE	AMS 2418	AS5272	TITANIUM

RETAINING CLIP MATERIAL AND FINISH (SEE CB8002)

MATERIAL	SPEC.	PASSIVATE
XM-28 (UNS S24100) STAINLESS STEEL SPRING WIRE	ASTM A 313/A 313M	AMS 2700

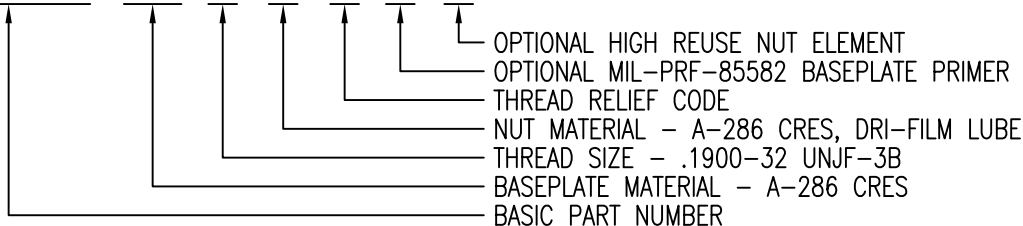
PART NUMBER SUFFIXES

SUFFIX	DESCRIPTION
NL	NON-LOCKING NUT ELEMENT
R	THREAD LOCK MEETS NASM25027 REUSE REQUIREMENTS FOR 50 REUSE CYCLES

NOTE: PART NUMBER CB8011CR2-1 IS INACTIVE FOR NEW DESIGN, USE CB8011CR08-1 (NUTPLATE DESIGN UNCHANGED)

EXAMPLE PART NUMBER

CB8011 CR 3 - 1 P R



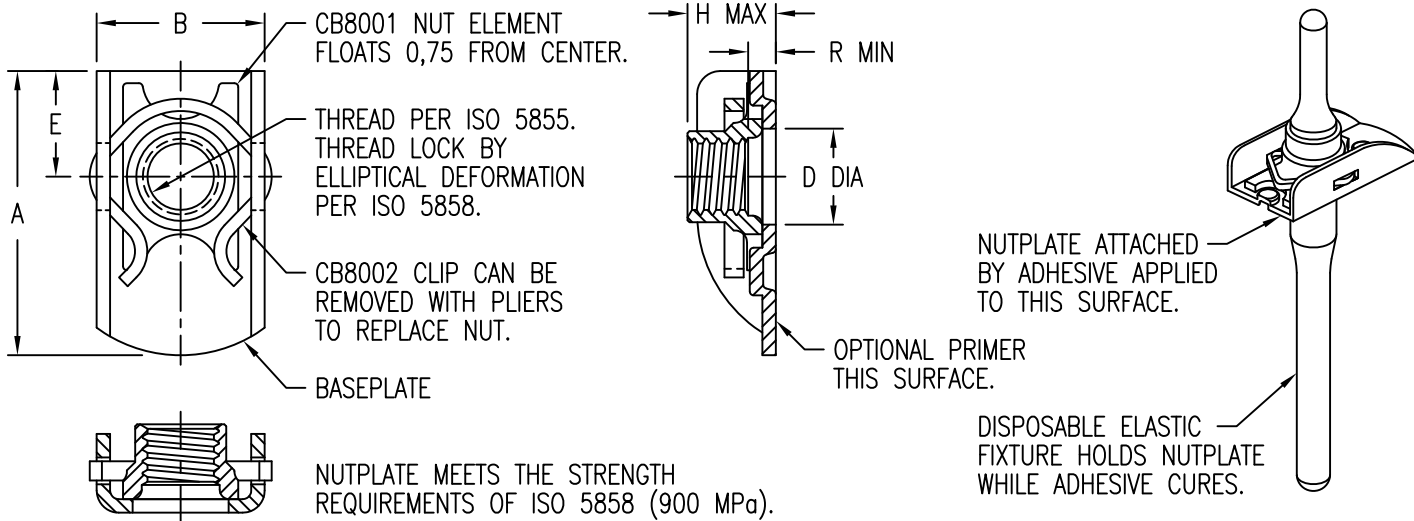
UNLESS OTHERWISE SPECIFIED, ALL DIMENSIONS ARE IN INCHES AND TOLERANCES ARE AS SHOWN BELOW. DIMENSIONAL TOLERANCES AND SYMBOLS PER ANSI Y14.5M-1982.

PROPRIETARY PARTS SHOWN IN THIS DRAWING ARE THE SUBJECT OF ISSUED UNITED STATES AND FOREIGN PATENTS AND PATENTS PENDING. UNAUTHORIZED REPRODUCTION AND/OR DISTRIBUTION OF THIS DRAWING IS SPECIFICALLY PROHIBITED.



CARSON CITY
NEVADA 89706

CAD CB8011-2		APPROVALS		DATE	TITLE			
ANGLES	±1°	DRAWN	DAC	3FEB15	NUTPLATE, ONE LUG, ADHESIVE BONDED			
.XX	±.03	CHECKED	DAC/mtm	3FEB15	SIZE	CAGE CODE	DWG. NO.	REV.
.XXX	±.010	RELEASED	ABC/mtm	3FEB15	A	66530	CB8011	6
.XXXX	±.001	REVISED	DAC	3FEB15	SCALE	2/1	3FEB15	SHEET 2 OF 4



THREAD AND DIMENSION DATA (ALL DIMENSIONS BEFORE PAINT)

PART NUMBER	THREAD SIZE	A MAX	B MAX	D MIN	E MAX	H MAX	R MIN	WEIGHT * (A-286 CRES) GRAMS	WEIGHT * (ALUMINUM) GRAMS
CB8011()4M()	MJ4 X 0,7 4H6H	19,0	11,6	5,50	7,3	5,2	1,6	2,8	1,7
CB8011()5M()	MJ5 X 0,8 4H6H	19,0	11,6	6,35	7,3	6,2	1,6	2,9	1,8
CB8011()5M()4						8,0	4,0	3,3	2,1
CB8011()5M()6						10,0	6,0	3,6	2,4
CB8011()5M()8						12,0	8,0	3,9	2,7
CB8011()5M()10						14,0	10,0	4,2	3,0
CB8011()5M()12						16,0	12,0	4,5	3,3
CB8011()6M()	MJ6 X 1,0 4H5H	24,1	14,1	7,50	9,2	7,1	1,6	5,0	3,2
CB8011()6M()4						9,0	4,0	5,5	3,7
CB8011()6M()6						11,0	6,0	6,0	4,2
CB8011()6M()8						13,0	8,0	6,5	4,7
CB8011()6M()10						15,0	10,0	7,0	5,2
CB8011()6M()12						17,0	12,0	7,5	5,7
CB8011()8M()	MJ8 X 1,0 4H5H	26,5	16,6	9,50	10,5	8,2	1,6	7,3	4,7
CB8011()8M()4						11,0	4,0	7,9	5,3
CB8011()8M()6						13,0	6,0	8,6	6,0
CB8011()8M()8						15,0	8,0	9,2	6,6
CB8011()8M()10						17,0	10,0	9,8	7,2
CB8011()8M()12						19,0	12,0	10,5	7,9
CB8011()10M()	MJ10 X 1,25 4H5H	30,1	19,1	11,10	11,7	9,9	1,6	12,7	8,3

* APPROXIMATE WEIGHT WITHOUT INSTALLATION FIXTURE (BASEPLATE MATERIAL IN PARENTHESIS).

UNLESS OTHERWISE SPECIFIED, ALL DIMENSIONS ARE IN MILLIMETERS AND TOLERANCES ARE AS SHOWN BELOW. DIMENSIONAL TOLERANCES AND SYMBOLS PER ANSI Y14.5M-1982.

PROPRIETARY PARTS SHOWN IN THIS DRAWING ARE THE SUBJECT OF ISSUED UNITED STATES AND FOREIGN PATENTS AND PATENTS PENDING. UNAUTHORIZED REPRODUCTION AND/OR DISTRIBUTION OF THIS DRAWING IS SPECIFICALLY PROHIBITED.



CARSON CITY
NEVADA 89706

CAD CB8011-3 METRIC DIMENSIONS	
ANGLES	±1°
.X	±0,8
.XX	±0,25

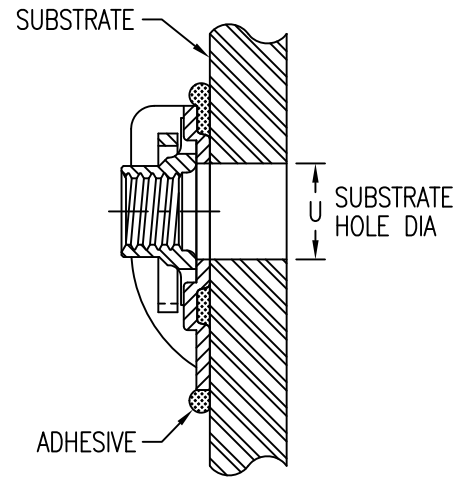
APPROVALS	DATE
DRAWN <i>DAC</i>	3FEB15
CHECKED <i>DAC</i>	3FEB15
RELEASED <i>DAC</i>	3FEB15
REVISED <i>DAC</i>	3FEB15

TITLE NUTPLATE, ONE LUG, ADHESIVE BONDED			
SIZE A	CAGE CODE 66530	DWG. NO. CB8011 (METRIC)	REV. 6
SCALE 2/1	3FEB15		SHEET 3 OF 4

INSTALLATION HOLE SIZE AND REPLACEMENT COMPONENTS

SIZE	U DIA	NUT PART NO. *	CLIP PART NO.
4M	4,00-5,50	CB8001()4M()	CB8002-4M
5M	5,00-6,35	CB8001()5M()	CB8002-5M
6M	6,00-7,50	CB8001()6M()	CB8002-6M
8M	8,00-9,50	CB8001()8M()	CB8002-8M
10M	10,00-11,10	CB8001()10M()	CB8002-10M

* FIRST () INDICATES NUT MATERIAL CODE
 DASH NUMBER SAME AS NUTPLATE THREAD RELIEF CODE
 "NL" SUFFIX INDICATES NON-LOCKING NUT ELEMENT
 "R" SUFFIX INDICATES HIGH REUSE NUT ELEMENT



BASEPLATE MATERIAL AND FINISH DATA

CODE	MATERIAL	SPEC.	FINISH	SPEC.
A	ALUMINUM	AMS-QQ-A-250	NONE	
AA	ALUMINUM	AMS-QQ-A-250	ANODIZE	MIL-A-8625 TYPE 1
CR	A-286 CRES	AMS 5525	PASSIVATE	AMS 2700

NUT MATERIAL, FINISH, AND REUSABILITY TEST BOLT REQUIREMENT (SEE CB8001)

CODE	MATERIAL	FINISH	SPEC.	DRI-FILM LUBE	REUSABILITY TEST BOLT
NONE	A-286 CRES	PASSIVATE	AMS 2700	AS5272	CRES
CRT	A-286 CRES	COPPER PLATE	AMS 2418	AS5272	TITANIUM

RETAINING CLIP MATERIAL AND FINISH (SEE CB8002)

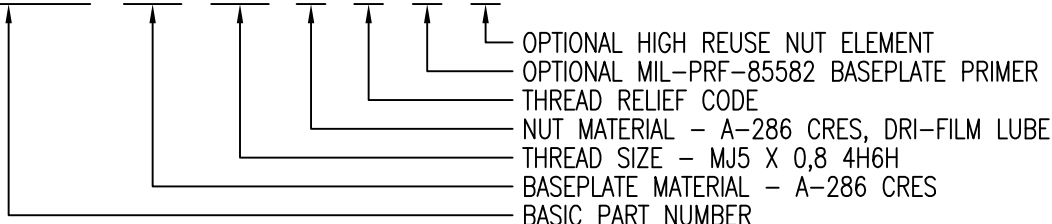
MATERIAL	SPEC.	PASSIVATE
XM-28 (UNS S24100) STAINLESS STEEL SPRING WIRE	ASTM A 313/A 313M	AMS 2700

PART NUMBER SUFFIXES

SUFFIX	DESCRIPTION
NL	NON-LOCKING NUT ELEMENT
R	THREAD LOCK MEETS ISO 5858 REUSE REQUIREMENTS FOR 50 REUSE CYCLES

EXAMPLE PART NUMBER

CB8011 CR 5M P R



UNLESS OTHERWISE SPECIFIED, ALL DIMENSIONS ARE IN MILLIMETERS AND TOLERANCES ARE AS SHOWN BELOW. DIMENSIONAL TOLERANCES AND SYMBOLS PER ANSI Y14.5M-1982.

PROPRIETARY PARTS SHOWN IN THIS DRAWING ARE THE SUBJECT OF ISSUED UNITED STATES AND FOREIGN PATENTS AND PATENTS PENDING. UNAUTHORIZED REPRODUCTION AND/OR DISTRIBUTION OF THIS DRAWING IS SPECIFICALLY PROHIBITED.



CARSON CITY
NEVADA 89706

CAD CB8011-4 METRIC DIMENSIONS	
ANGLES	±1°
.X	±0,8
.XX	±0,25

APPROVALS	DATE
DRAWN <i>DAC</i>	3FEB15
CHECKED <i>DAC/mtm</i>	3FEB15
RELEASED <i>ABC/ati</i>	3FEB15
REVISED <i>DAC</i>	3FEB15

TITLE NUTPLATE, ONE LUG, ADHESIVE BONDED			
SIZE	CAGE CODE	DWG. NO.	REV.
A	66530	CB8011 (METRIC)	6
SCALE	2/1	3FEB15	SHEET 4 OF 4