

LENGTH L DATA (LENGTH CODE IN QUARTERS OF AN INCH)

CODE	6	7	8	9	10	11	12	13	14	15	16
L	1.50	1.75	2.00	2.25	2.50	2.75	3.00	3.25	3.50	3.75	4.00

MATERIAL AND FINISH DATA

CODE	MATERIAL	FINISH
CR	316 CRES	PASSIVATE

THREAD DATA

CODE	THREAD SIZE	S REF
8	.500-13 UNC-2A	.30
10	.625-11 UNC-2A	.40
12	.750-10 UNC-2A	.40

OPTIONAL PRIMER

CODE	PRIMER
-	NONE
P	EPOXY PRIMER

EXAMPLE PART NUMBER

CB9522 CR 10 P 8

LENGTH L - 2.00
 OPTIONAL PRIMER ON BASEPLATE
 THREAD SIZE - .625-11 UNC-2A
 MATERIAL - 316 CRES
 BASIC PART NUMBER

UNLESS OTHERWISE SPECIFIED, ALL DIMENSIONS ARE IN INCHES AND TOLERANCES ARE AS SHOWN BELOW. DIMENSIONAL TOLERANCES AND SYMBOLS PER ANSI Y14.5M-1982.

PROPRIETARY PARTS SHOWN IN THIS DRAWING ARE THE SUBJECT OF ISSUED UNITED STATES AND FOREIGN PATENTS AND PATENTS PENDING. UNAUTHORIZED REPRODUCTION AND/OR DISTRIBUTION OF THIS DRAWING IS SPECIFICALLY PROHIBITED.

CLICK BOND

CARSON CITY
NEVADA 89706

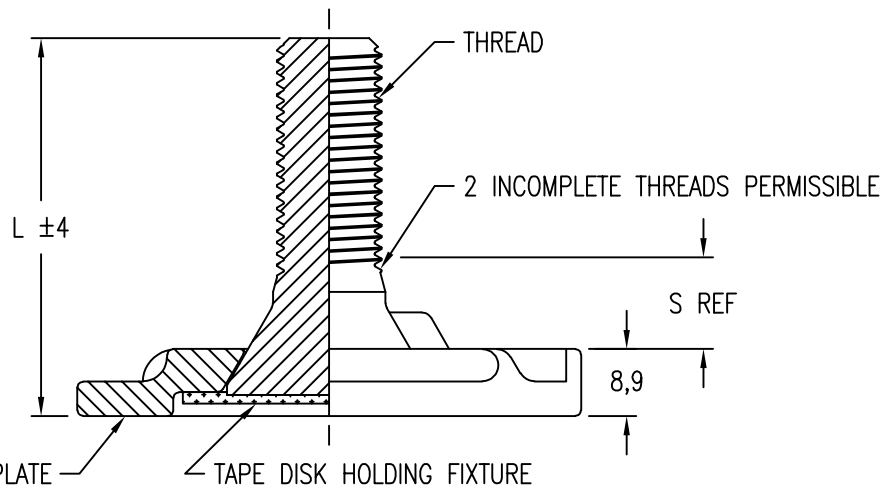
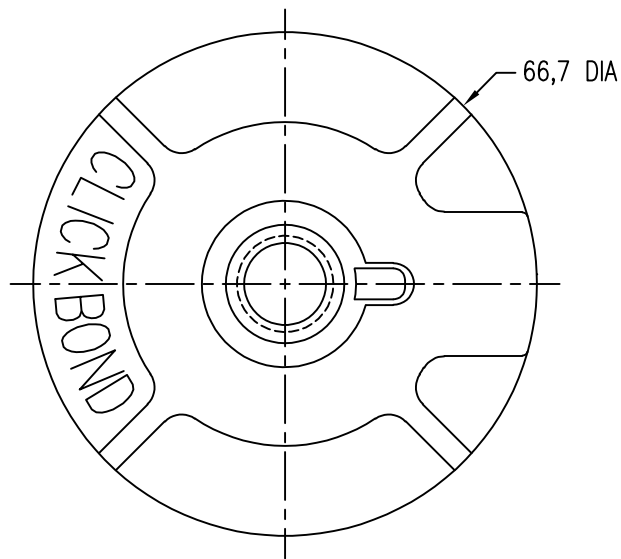
CAD CB9522-1

APPROVALS	DATE
DRAWN BPEREZ	8JUN15
CHECKED DAC	28OCT20
RELEASED JLH	28OCT20
REVISED DAC	28OCT20

TITLE
STUD, ADHESIVE BONDED, SELF FIXTURING

ANGLES	±1°
.XX	±.03
.XXX	±.010
.XXXX	±.001

SIZE	CAGE CODE	DWG. NO.	REV.
A	66530	CB9522	11
SCALE	1/1	28OCT20	SHEET 1 OF 2



THREAD DATA

CODE	THREAD SIZE	S REF
16M	M16 X 2,0 6g	12,1

LENGTH L (LENGTH CODE IN mm)

CODE	40M	50M	75M	100M
L	40	50	75	100

MATERIAL AND FINISH DATA

CODE	MATERIAL	FINISH
CR	316 CRES	PASSIVATE

OPTIONAL PRIMER

CODE	PRIMER
NONE	NONE
P	EPOXY PRIMER

EXAMPLE PART NUMBER

CB9522 CR 16M P 50M

↑ BASIC PART NUMBER
 ↑ MATERIAL - 316 CRES
 ↑ THREAD SIZE - M16 X 2,0 6g
 ↑ OPTIONAL PRIMER ON BASEPLATE
 ↑ LENGTH L - 50 mm

UNLESS OTHERWISE SPECIFIED, ALL DIMENSIONS ARE IN MILLIMETERS AND TOLERANCES ARE AS SHOWN BELOW. DIMENSIONAL TOLERANCES AND SYMBOLS PER ANSI Y14.5M-1982.

PROPRIETARY PARTS SHOWN IN THIS DRAWING ARE THE SUBJECT OF ISSUED UNITED STATES AND FOREIGN PATENTS AND PATENTS PENDING. UNAUTHORIZED REPRODUCTION AND/OR DISTRIBUTION OF THIS DRAWING IS SPECIFICALLY PROHIBITED.

CLICK BOND

CARSON CITY
NEVADA 89706

CAD CB9522-2
METRIC DIMENSIONS

APPROVALS	DATE
DRAWN BPEREZ	8JUN15
CHECKED DAC	28OCT20
RELEASED JLH	28OCT20
REVISED DAC	28OCT20

TITLE
STUD, ADHESIVE BONDED, SELF FIXTURING

ANGLES	±1°
.X	±0,8
.XX	±0,25

SIZE	CAGE CODE	DWG. NO.	REV.
A	66530	CB9522 (METRIC)	11
SCALE	1/1	28OCT20	SHEET 2 OF 2