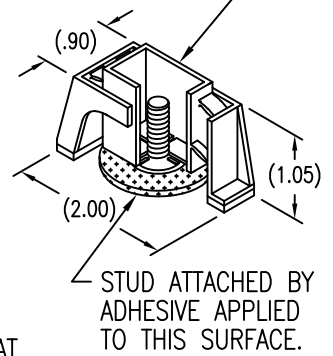
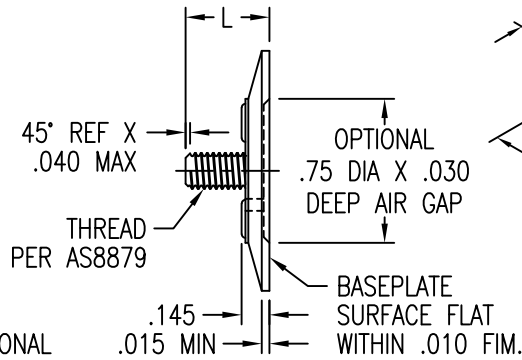
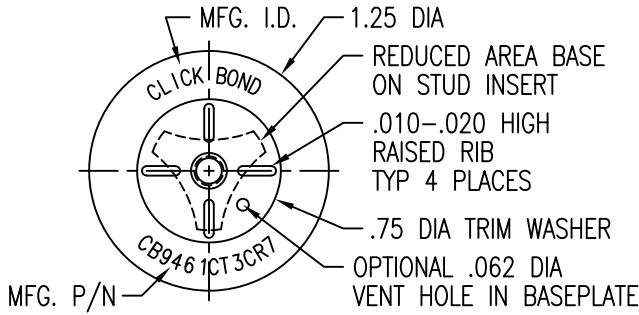


STUD STRAIGHT WITHIN .004 INCH PER INCH OF LENGTH. PITCH DIA CONCENTRIC WITH BASE O.D. WITHIN .020 FIM. PITCH DIA PERPENDICULAR TO BASE WITHIN $\pm 1^\circ$. SURFACE TEXTURE: ROOT RADIUS AND THREAD FLANKS 32 MICROINCHES. OTHER SURFACES 125 MICROINCHES. GRIT BLASTED SURFACES 60 TO 250 MICROINCHES.

DISPOSABLE PRESSURE SENSITIVE ADHESIVE FIXTURE HOLDS STUD WHILE ADHESIVE CURES.



LENGTH L DATA (LENGTH L IN SIXTEENTHS OF AN INCH)

CODE	5	6	7	8	9	10	12	14	16	18	20	22	24	26	28	30	32
L	.31	.38	.44	.50	.56	.63	.75	.88	1.00	1.13	1.25	1.38	1.50	1.63	1.75	1.88	2.00

WASHER MATERIAL	CHEMISTRY SPEC.	PASSIVATE
304 OR A-286 CRES	AMS 5513 OR 5525	AMS 2700

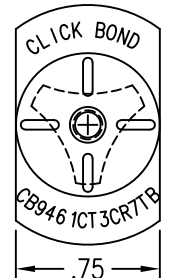
CODE	THREAD SIZE
3	.1900-32 UNJF-3A

MANUFACTURER'S OPTION:
.1810-.1840 REDUCED MAJOR DIA THREAD

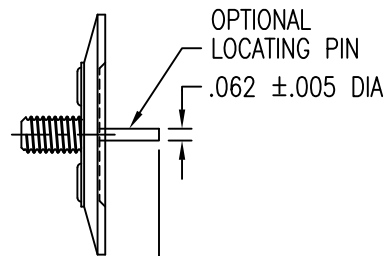
CODE	STUD MATERIAL	CHEMISTRY SPEC.	PASSIVATE
CR	A-286 CRES	AMS 5525, 5726, 5731, 5732, 5734, OR 5737	AMS 2700

CODE	COMPOSITE BASEPLATE MATERIAL	SPEC.	INTERFACE BASEPLATE MATERIAL	SPEC.
C	CARBON/EPOXY, 350°F CURE	CBMS-105	FILM ADHESIVE, 250°F CURE	CBMS-116
CT			FILM ADHESIVE, 350°F CURE	CBMS-114

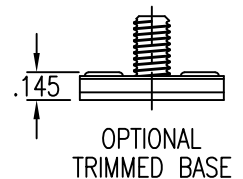
CODE	CONFIGURATION DESCRIPTION
NONE	AIR GAP AND VENT HOLE
LP	AIR GAP, VENT HOLE, AND LONG LOCATING PIN
LPS	AIR GAP, VENT HOLE, AND SHORT LOCATING PIN
NV	AIR GAP AND LONG LOCATING PIN
T	AIR GAP AND TRIMMED BASE (INACTIVE)
TB	TRIMMED BASE
LPT	TRIMMED BASE AND LONG LOCATING PIN



OPTIONAL TRIMMED BASE



SHORT = $.125 \pm .030$
LONG = $.280 \pm .030$



EXAMPLE PART NUMBER

CB9461 CT 3 CR 7 TB AF

ALTERNATE LOW PROFILE FIXTURE CONFIGURATION CODE
STUD LENGTH L - .44
STUD MATERIAL - A-286 CRES
THREAD SIZE - .1900-32 UNJF-3A
BASEPLATE MATERIAL - CARBON/EPOXY
BASIC PART NUMBER

UNLESS OTHERWISE SPECIFIED, ALL DIMENSIONS ARE IN INCHES AND TOLERANCES ARE AS SHOWN BELOW. DIMENSIONAL TOLERANCES AND SYMBOLS PER ANSI Y14.5M-1982.

PROPRIETARY PARTS SHOWN IN THIS DRAWING ARE THE SUBJECT OF ISSUED UNITED STATES AND FOREIGN PATENTS AND PATENTS PENDING. UNAUTHORIZED REPRODUCTION AND/OR DISTRIBUTION OF THIS DRAWING IS SPECIFICALLY PROHIBITED.

CLICK BOND

CARSON CITY
NEVADA 89706

ANGLES	$\pm 1^\circ$	DRAWN	DAC	DATE	15APR14
.XX	$\pm .03$	CHECKED	DAC/mtm	DATE	7JUL23
.XXX	$\pm .010$	RELEASED	RDH	DATE	7JUL23
.XXXX	$\pm .001$	REVISED	DAC	DATE	7JUL23

TITLE				STUD, COMPOSITE BASE, ADHESIVE BONDED			
SIZE	CAGE CODE	DWG. NO.	REV.				
A	66530	CB9461	14				
SCALE	1/1	DATE	7JUL23	SHEET	1	OF	1