

LENGTH L DATA (LENGTH CODE IN SIXTEENTHS OF AN INCH)

CODE	3	4	5	6	7	8	10	12	14	16
L	.20	.25	.31	.38	.44	.50	.63	.75	.88	1.00

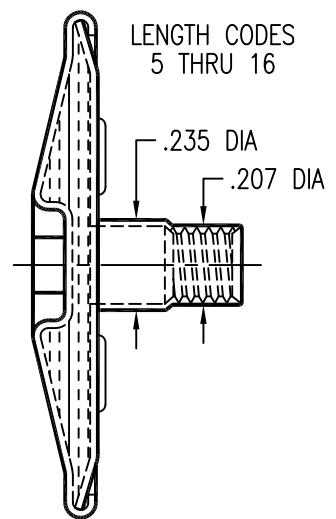
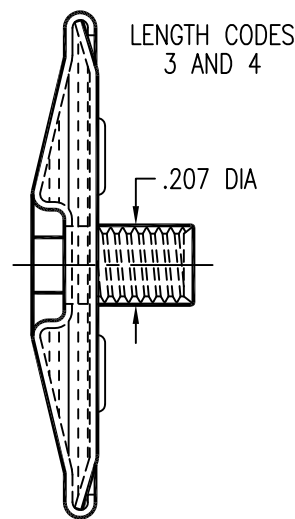
RETAINER MATERIAL DATA

CODE	MATERIAL	CHEMISTRY SPEC.	PASSIVATE
CR	A-286 CRES	AMS 5525, 5726, 5731, 5732, 5734, 5737	AMS 2700

OPTIONAL FINISH CODE

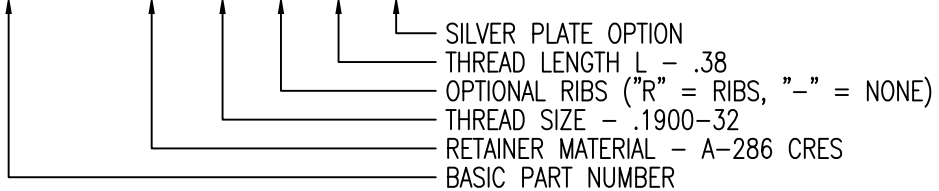
CODE	SILVER PLATE	ANTI-SEIZE LUBE
NONE	NONE	MIL-PRF-907
S	AMS 2410	NONE

INSULATION MATERIAL: CERAMIC FIBER



EXAMPLE PART NUMBER

CB9651 CR 3 R 6 S



UNLESS OTHERWISE SPECIFIED, ALL DIMENSIONS ARE IN INCHES AND TOLERANCES ARE AS SHOWN BELOW. DIMENSIONAL TOLERANCES AND SYMBOLS PER ANSI Y14.5M-1982.

PROPRIETARY PARTS SHOWN IN THIS DRAWING ARE THE SUBJECT OF ISSUED UNITED STATES AND FOREIGN PATENTS AND PATENTS PENDING. UNAUTHORIZED REPRODUCTION AND/OR DISTRIBUTION OF THIS DRAWING IS SPECIFICALLY PROHIBITED.

CLICK BOND

CARSON CITY
NEVADA 89706

		APPROVALS	DATE
ANGLES	±1°	DRAWN <i>DAC</i>	14OCT10
.XX	±.03	CHECKED <i>DAC/mtm</i>	7DEC15
.XXX	±.010	RELEASED <i>CGH</i>	7DEC15
.XXXX	±.001	REVISED <i>DAC</i>	7DEC15

TITLE RETAINER, INSULATION BLANKET, FEMALE THREAD			
SIZE	CAGE CODE	DWG. NO.	REV.
A	66530	CB9651	5
SCALE	2/1 7DEC15		SHEET 1 OF 1