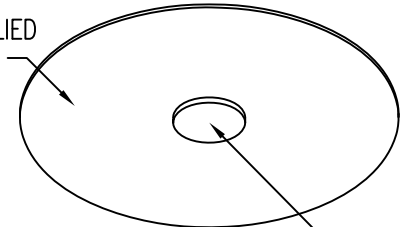
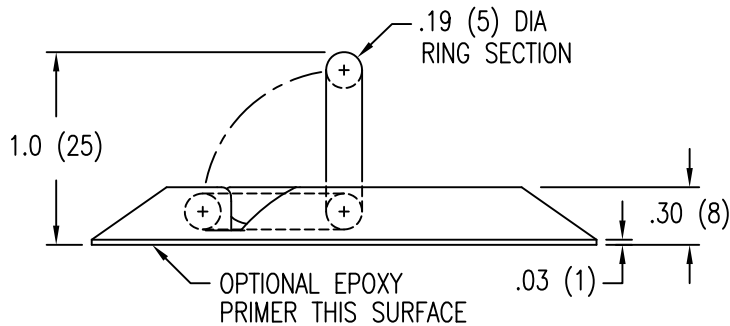


RING ATTACHED BY ADHESIVE APPLIED TO THIS SURFACE.



INTERNAL PRESSURE SENSITIVE ADHESIVE FIXTURE HOLDS RING WHILE ADHESIVE CURES.



NOTE: DIMENSIONS IN INCHES (mm)

MATERIAL AND FINISH DATA

CODE	BASE AND WASHER MATERIAL	RING AND HUB MATERIAL	FINISH
CRM	316 CRES	316 CRES	PASSIVATE
CRA	316 CRES	A-286 CRES	PASSIVATE

ABS DESIGN LOADS

CODE	TENSILE STRENGTH
CRM	400 lbs
CRA	800 lbs

EXAMPLE PART NUMBER

CB9788 CRM P

OPTIONAL EPOXY PRIMER ON BASEPLATE
 MATERIAL - 316 CRES
 BASIC PART NUMBER

UNLESS OTHERWISE SPECIFIED, ALL DIMENSIONS ARE IN INCHES AND TOLERANCES ARE AS SHOWN BELOW. DIMENSIONAL TOLERANCES AND SYMBOLS PER ANSI Y14.5M-1982.

PROPRIETARY PARTS SHOWN IN THIS DRAWING ARE THE SUBJECT OF ISSUED UNITED STATES AND FOREIGN PATENTS AND PATENTS PENDING. UNAUTHORIZED REPRODUCTION AND/OR DISTRIBUTION OF THIS DRAWING IS SPECIFICALLY PROHIBITED.

CLICK BOND

CARSON CITY
 NEVADA 89706

		APPROVALS	DATE
ANGLES	±1°	DRAWN <i>DAC</i>	9DEC14
.XX	±.03	CHECKED <i>DAC/mtm</i>	3NOV15
.XXX	±.010	RELEASED <i>ADAL</i>	4NOV15
.XXXX	±.001	REVISED <i>BPerez</i>	3NOV15

TITLE			
RING, TIE DOWN, FLUSH			
SIZE	CAGE CODE	DWG. NO.	REV.
A	66530	CB9788	4
SCALE	1/1 3NOV15		SHEET 1 OF 1