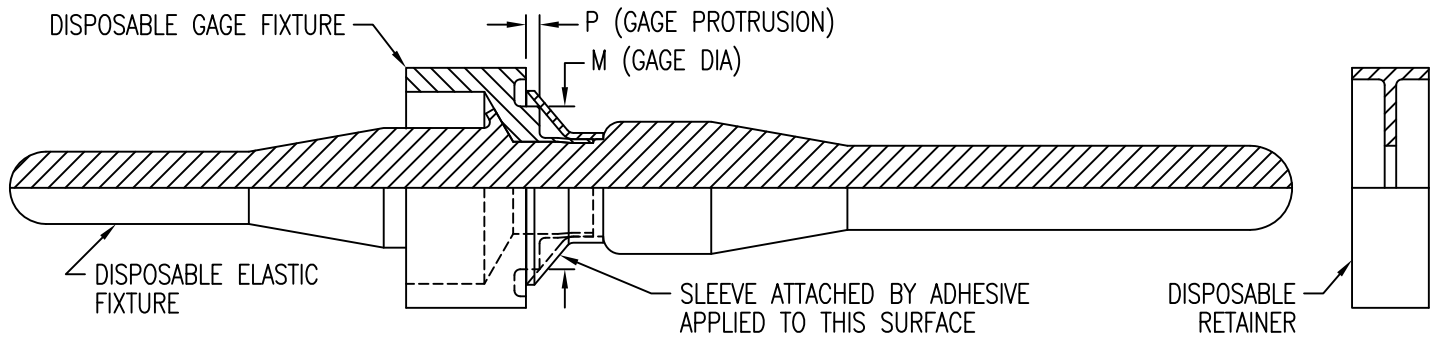


- NOTES
1. ALL DIMENSIONS BEFORE PAINT OR PLATING
 2. FOR L MAX DIMENSION, LENGTH IS $L \pm .010$
 3. FIXTURED (CODE "E" OR NONE) SLEEVES WITH CODE "-" SURFACE FINISH SHALL BE SUPPLIED WITH POWDER BLAST FINISH
 4. .001 MAX BURR PERMISSIBLE ON INTERIOR AT END OF PART
 5. GAGE FIXTURE POSITIONS SLEEVE TO PROVIDE FLUSH MOUNTING OF 100° FULL FLUSH HEAD FASTENER (NAS1580) PER NAS9800 TYPE B.
 6. FOR L LESS THAN L MIN, GAGE FIXTURE NOT AVAILABLE; DO, DI, AND R ARE REFERENCE DIMENSIONS



DIMENSION DATA

CODE	SIZE	A DIA	DI DIA	DO DIA	L MIN	L MAX	(HF)	(HS)	(M)	(P)
55	.1640	.328	.1670-.1685	.1990-.2000	.100	.750	.070	.078	.2670	.0280
06	.1900	.380	.1930-.1945	.2250-.2260	.125	1.000	.080	.088	.3146	.0301
08	.2500	.505	.2530-.2545	.2852-.2862	.150	1.000	.108	.116	.4244	.0354
10	.3125	.631	.3155-.3170	.3477-.3487	.175	1.000	.135	.143	.5388	.0407
12	.3750	.758	.3780-.3795	.4102-.4112	.200	1.000	.162	.170	.6531	.0463

MATERIAL AND FINISH DATA

CODE	MATERIAL	SPEC.	CONDITION	PASSIVATE
C	A-286 CRES	AMS 5525	AS FORMED	AMS 2700
D	A-286 CRES	AMS 5525	ANNEALED	AMS 2700

FIXTURE CODE

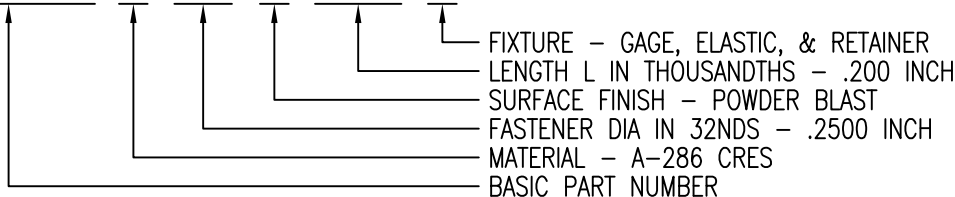
CODE	FIXTURE COMPONENTS
NONE	GAGE, ELASTIC, & RETAINER
E	ELASTIC & RETAINER
N	NO FIXTURE

SURFACE FINISH

CODE	TREATMENT
-	NONE
B	POWDER BLAST
C	CAD PLATE
P	EPOXY PRIMER
AC	ALUMINUM COAT

EXAMPLE PART NUMBER

CB5946 C 08 B 200



FIXTURE - GAGE, ELASTIC, & RETAINER
 LENGTH L IN THOUSANDTHS - .200 INCH
 SURFACE FINISH - POWDER BLAST
 FASTENER DIA IN 32NDS - .2500 INCH
 MATERIAL - A-286 CRES
 BASIC PART NUMBER

UNLESS OTHERWISE SPECIFIED, ALL DIMENSIONS ARE IN INCHES AND TOLERANCES ARE AS SHOWN BELOW. DIMENSIONAL TOLERANCES AND SYMBOLS PER ANSI Y14.5M-1982.

PANDOR

PROPRIETARY PARTS SHOWN IN THIS DRAWING ARE THE SUBJECT OF ISSUED UNITED STATES AND FOREIGN PATENTS AND PATENTS PENDING. UNAUTHORIZED REPRODUCTION AND/OR DISTRIBUTION OF THIS DRAWING IS SPECIFICALLY PROHIBITED.

CLICK BOND

CARSON CITY
NEVADA 89706

APPROVALS	DATE
DRAWN <i>DAC</i>	21MAY12
CHECKED <i>DAC/mtm</i>	21MAY12
RELEASED <i>KGH</i>	21MAY12
REVISED <i>DAC</i>	21MAY12

TITLE			
SLEEVE, BOLT CLEARANCE, 100° TENSION HEAD, ADHESIVE BONDED			
SIZE	CAGE CODE	DWG. NO.	REV.
A	66530	CB5946	3
SCALE	4/1	21MAY12	SHEET 1 OF 1