

THREAD AND DIMENSION DATA

CODE	THREAD SIZE	H	A DIA	B DIA	D DIA	E MAX	F ±.005	L MIN
06	.1380-32 UNC-3B	.140 - .150	.62	.365 - .375	.144 - .153	.455	.030	.450
08	.1640-32 UNC-3B	.170 - .180	.75	.427 - .437	.170 - .179	.495	.030	.475
324	.1900-24 UNC-3B	.200 - .210	.87	.427 - .437	.199 - .208	.525	.030	.500
3	.1900-32 UNF-3B	.200 - .210	.87	.427 - .437	.196 - .206	.515	.030	.500
420	.2500-20 UNC-3B	.260 - .270	1.00	.552 - .562	.260 - .271	.595	.030	.575
4	.2500-28 UNF-3B	.260 - .270	1.00	.552 - .562	.257 - .266	.585	.030	.575
5	.3125-24 UNF-3B	.323 - .333	1.12	.615 - .625	.321 - .331	.650	.040	.625
6	.3750-24 UNF-3B	.385 - .395	1.25	.677 - .687	.384 - .393	.725	.050	.675

BUSHING MATERIAL AND FINISH DATA

CODE	MATERIAL	SPEC.	FINISH	SPEC.
A	2024 ALUMINUM	AMS-QQ-A-200, AMS-QQ-A-225	NONE	
AA			ANODIZE	MIL-A-8625 TYPE I
CR	304 CRES	AMS 5639 OR 5647	PASSIVATE	AMS 2700
T	6AL-4V TITANIUM	AMS 4928, 4965, OR 4967	NONE	

NOTE: OPTIONAL TRIMMED BASEPLATE AVAILABLE ON SIZES 420, 4, 5, AND 6 ONLY.

THREAD INSERT DATA

CODE	INSERT	SPEC.	DRI-FILM LUBE
NONE	LOCKING	MS21209 OR NAS1130	AS5272
NL	NON-LOCKING	NAS1130	NONE

EXAMPLE PART NUMBER

CB9061 AA 4-1000-750 NL

THREAD INSERT - NON-LOCKING, NO DRI-FILM LUBE
 OPTIONAL TRIMMED BASE
 GRIP LENGTH L IN THOUSANDTHS OF AN INCH - 1.000
 THREAD SIZE - .2500-28 UNF-3B
 BUSHING MATERIAL - 2024 ALUMINUM, ANODIZE
 BASIC PART NUMBER

UNLESS OTHERWISE SPECIFIED, ALL DIMENSIONS ARE IN INCHES AND TOLERANCES ARE AS SHOWN BELOW. DIMENSIONAL TOLERANCES AND SYMBOLS PER ANSI Y14.5M-1982.

PROPRIETARY PARTS SHOWN IN THIS DRAWING ARE THE SUBJECT OF ISSUED UNITED STATES AND FOREIGN PATENTS AND PATENTS PENDING. UNAUTHORIZED REPRODUCTION AND/OR DISTRIBUTION OF THIS DRAWING IS SPECIFICALLY PROHIBITED.



CARSON CITY NEVADA 89706

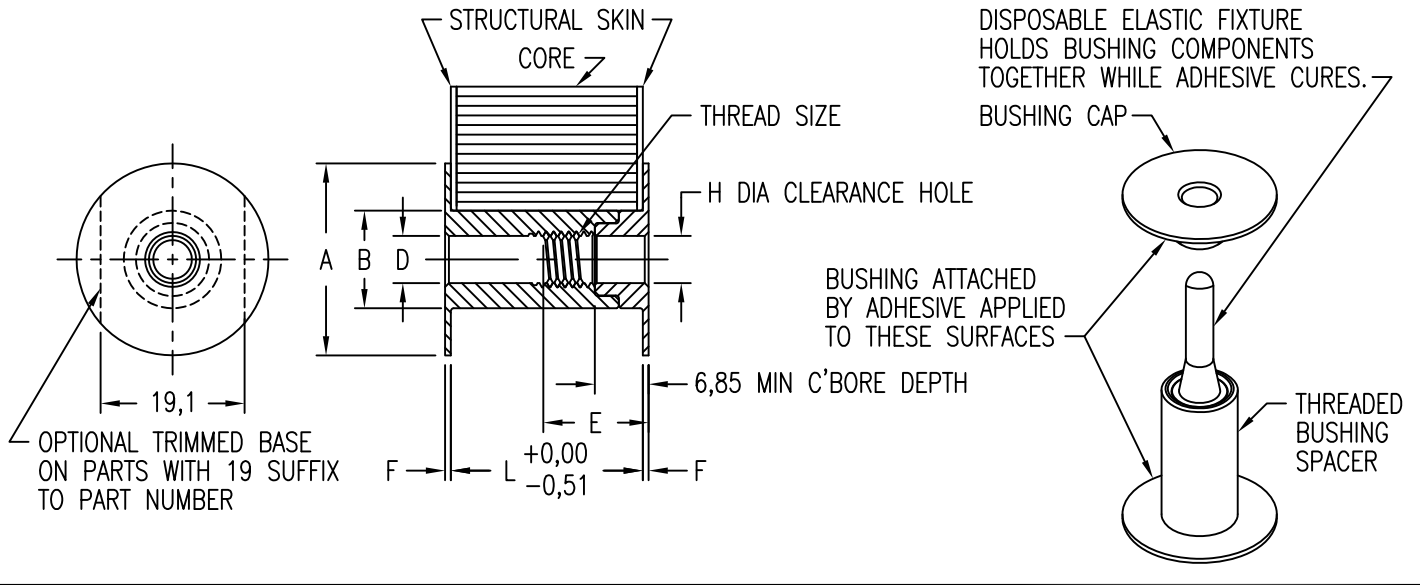
CAD CB9061-1

APPROVALS	DATE
DRAWN <i>DAC</i>	6MAY14
CHECKED <i>DAC/mtm</i>	6MAY14
RELEASED <i>ABC/mtm</i>	6MAY14
REVISED <i>DAC</i>	6MAY14

TITLE BUSHING, THREADED, SPACER INSERT

ANGLES	±1°
.XX	±.03
.XXX	±.010
.XXXX	±.001

SIZE	CAGE CODE	DWG. NO.	REV.
A	66530	CB9061	8
SCALE	1/1	6MAY14	SHEET 1 OF 2



THREAD AND DIMENSION DATA

CODE	THREAD SIZE	H	A DIA	B DIA	D DIA	E MAX	F ±0,13	L MIN
5M	M5 X 0,8 4H5H	5,16 - 5,36	22,1	10,8 - 11,0	5,16 - 5,36	13,3	0,76	13,0
6M	M6 X 1,0 4H5H	6,19 - 6,41	25,4	12,8 - 13,0	6,19 - 6,41	14,5	0,76	14,0
8M	M8 X 1,25 4H5H	8,27 - 8,49	28,4	14,8 - 15,0	8,27 - 8,49	17,1	1,02	16,5
10M	M10 X 1,5 4H5H	10,32 - 10,56	31,8	16,8 - 17,0	10,32 - 10,56	19,5	1,27	18,5

BUSHING MATERIAL AND FINISH DATA

CODE	MATERIAL	SPEC.	FINISH	SPEC.
A	2024 ALUMINUM	AMS-QQ-A-200, AMS-QQ-A-225	NONE	
AA			ANODIZE	MIL-A-8625 TYPE I
CR	304 CRES	AMS 5639 OR 5647	PASSIVATE	AMS 2700
T	6AL-4V TITANIUM	AMS 4928, 4965, OR 4967	NONE	

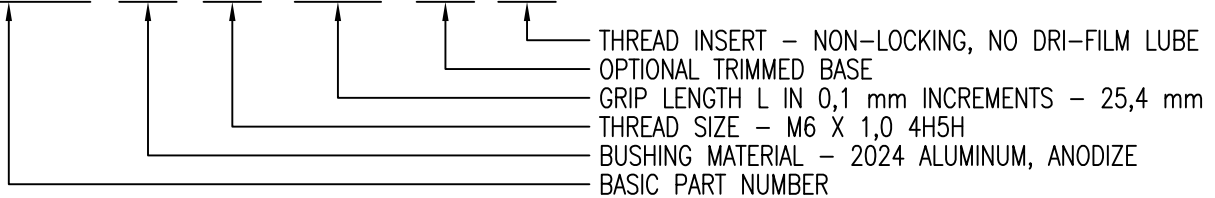
THREAD INSERT DATA

CODE	INSERT	SPEC.	DRI-FILM LUBE
NONE	LOCKING	MA3330	AS5272
NL	NON-LOCKING		NONE

NOTE: OPTIONAL TRIMMED BASEPLATE AVAILABLE ON SIZES 6M, 8M, AND 10M ONLY.

EXAMPLE PART NUMBER

CB9061 AA 6M-254-19 NL



UNLESS OTHERWISE SPECIFIED, ALL DIMENSIONS ARE IN MILLIMETERS AND TOLERANCES ARE AS SHOWN BELOW. DIMENSIONAL TOLERANCES AND SYMBOLS PER ANSI Y14.5M-1982.

PROPRIETARY PARTS SHOWN IN THIS DRAWING ARE THE SUBJECT OF ISSUED UNITED STATES AND FOREIGN PATENTS AND PATENTS PENDING. UNAUTHORIZED REPRODUCTION AND/OR DISTRIBUTION OF THIS DRAWING IS SPECIFICALLY PROHIBITED.



CARSON CITY
NEVADA 89706

CAD CB9061-2 METRIC DIMENSIONS		<table border="1"> <thead> <tr> <th>APPROVALS</th> <th>DATE</th> </tr> </thead> <tbody> <tr> <td>DRAWN <i>DAC</i></td> <td>6MAY14</td> </tr> <tr> <td>CHECKED <i>DAC/mtm</i></td> <td>6MAY14</td> </tr> <tr> <td>RELEASED <i>ABC/ati</i></td> <td>6MAY14</td> </tr> <tr> <td>REVISED <i>DAC</i></td> <td>6MAY14</td> </tr> </tbody> </table>		APPROVALS	DATE	DRAWN <i>DAC</i>	6MAY14	CHECKED <i>DAC/mtm</i>	6MAY14	RELEASED <i>ABC/ati</i>	6MAY14	REVISED <i>DAC</i>	6MAY14	TITLE BUSHING, THREADED, SPACER INSERT			
APPROVALS	DATE																
DRAWN <i>DAC</i>	6MAY14																
CHECKED <i>DAC/mtm</i>	6MAY14																
RELEASED <i>ABC/ati</i>	6MAY14																
REVISED <i>DAC</i>	6MAY14																
ANGLES	±1°	SIZE	CAGE CODE	DWG. NO.	REV.												
.X	±0,8	A	66530	CB9061 (METRIC)	8												
.XX	±0,25	SCALE	1/1	6MAY14	SHEET 2 OF 2												