

MATERIAL AND FINISH DATA

CODE	MATERIAL	SPEC.	FINISH	SPEC.
A	2024 OR 6061 ALUMINUM	AMS-QQ-A-200, AMS-QQ-A-225, AMS-QQ-A-250	ANODIZE	MIL-A-8625
CR	302, 303, 304, OR A-286 CRES	AMS 5637, 5638, 5639, 5640, OR 5641 AMS 5726, 5731, 5732, 5734, OR 5737 (CHEMISTRY ONLY)	PASSIVATE	AMS 2700
CRA	A-286 CRES	AMS 5726, 5731, 5732, 5734, OR 5737 (CHEMISTRY ONLY)	PASSIVATE	AMS 2700

THREAD AND DIMENSION DATA

CODE	THREAD T	A DIA	B MIN	C
3	.1900-32 UNF-3B	.312	.194	.19
4	.2500-28 UNF-3B	.375	.254	.25
420	.2500-20 UNC-3B	.375	.254	.25
5	.3125-24 UNF-3B	.500	.317	.31
518	.3125-18 UNC-3B	.500	.317	.31

GRIP LENGTH L DATA

CODE	6	8	10	12	14	16
L	.375	.500	.625	.750	.875	1.000

THREAD T

MS21209 OR NAS1130 INSERT. INSERT INSTALLED PER MS33537. LUBE PER AS5272, TYPE 1. THREAD LOCK PER NASM25027. ACCOMMODATES AS8879 UNJ THREAD SCREW.

OPTIONAL PRIMER

CODE	MATERIAL SPEC.
-	NONE
P	MIL-PRF-85582

SPECIAL FEATURES:
OPTIONAL PRIMER ON OUTER SURFACES.

EXAMPLE PART NUMBER

CB9084 CR 4-6 P 750

NOTE: ALL DIMENSIONS BEFORE PAINT.

OPTIONAL TRIMMED BASE
OPTIONAL PRIMER ON ALL OUTER SURFACES
GRIP LENGTH L IN SIXTEENTHS OF AN INCH - .375
THREAD SIZE - .2500-28 UNF-3B
MATERIAL - 302, 303, 304, OR A-286 CRES
BASIC PART NUMBER

UNLESS OTHERWISE SPECIFIED, ALL DIMENSIONS ARE IN INCHES AND TOLERANCES ARE AS SHOWN BELOW. DIMENSIONAL TOLERANCES AND SYMBOLS PER ANSI Y14.5M-1982.

PROPRIETARY PARTS SHOWN IN THIS DRAWING ARE THE SUBJECT OF ISSUED UNITED STATES AND FOREIGN PATENTS AND PATENTS PENDING. UNAUTHORIZED REPRODUCTION AND/OR DISTRIBUTION OF THIS DRAWING IS SPECIFICALLY PROHIBITED.

CLICK BOND

CARSON CITY
NEVADA 89706

CAD CB9084-1

APPROVALS DATE

TITLE

ANGLES ±1°

DRAWN *DAC* 31MAR10

BUSHING, LOCKING THREAD, ADHESIVE BONDED

.XX ±.03

CHECKED *DAC* 31MAR10

SIZE CAGE CODE DWG. NO. REV.

.XXX ±.010

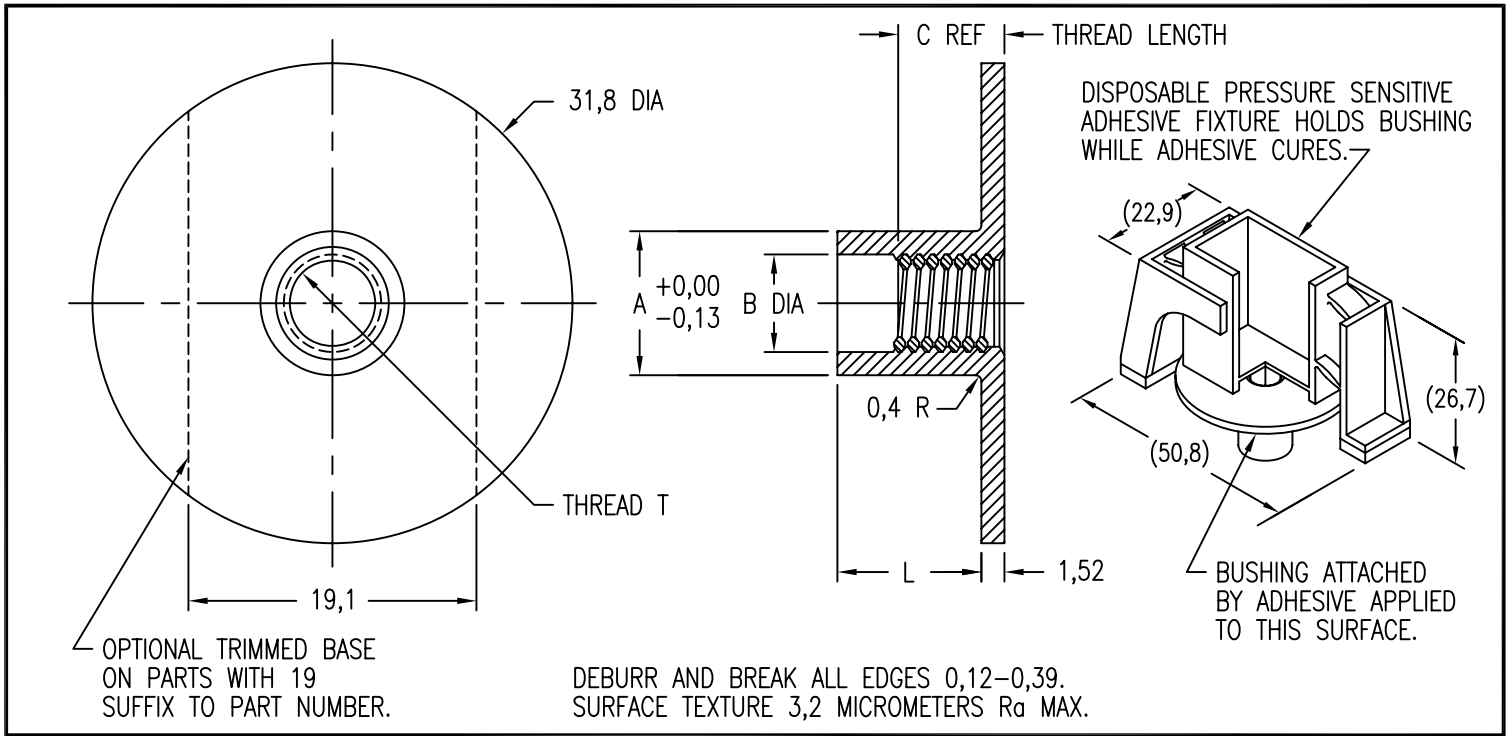
RELEASED *DAC* 31MAR10

A 66530 CB9084 4

.XXXX ±.001

REVISED *DAC* 31MAR10

SCALE 2/1 31MAR10 SHEET 1 OF 2



MATERIAL AND FINISH DATA

CODE	MATERIAL	SPEC.	FINISH	SPEC.
A	2024 OR 6061 ALUMINUM	AMS-QQ-A-200, AMS-QQ-A-225, AMS-QQ-A-250	ANODIZE	MIL-A-8625
CR	302, 303, 304, OR A-286 CRES	AMS 5637, 5638, 5639, 5640, OR 5641 AMS 5726, 5731, 5732, 5734, OR 5737 (CHEMISTRY ONLY)	PASSIVATE	AMS 2700
CRA	A-286 CRES	AMS 5726, 5731, 5732, 5734, OR 5737 (CHEMISTRY ONLY)	PASSIVATE	AMS 2700

THREAD AND DIMENSION DATA

CODE	THREAD T	A DIA	B MIN	C
5M	M5 X 0,8 4H5H	8,00	5,1	5,0
6M	M6 X 1,0 4H5H	9,00	6,1	6,0
8M	M8 X 1,25 4H5H	13,00	8,1	8,0

OPTIONAL PRIMER

CODE	MATERIAL SPEC.
P	MIL-PRF-85582

SPECIAL FEATURES:
OPTIONAL PRIMER ON OUTER SURFACES.

GRIP LENGTH L DATA

CODE	10M	12M	15M	20M	25M
L ±0,5	10	12	15	20	25

THREAD T

MA3330 INSERT INSTALLED PER MA1567.
LUBE PER AS5272, TYPE 1. THREAD LOCK PER ISO 2320.
ACCOMMODATES ISO 5855 MJ THREAD SCREW.

NOTE: ALL DIMENSIONS BEFORE PAINT.

EXAMPLE PART NUMBER

CB9084 CR 6M 12M P 19

↑ BASIC PART NUMBER
 ↑ MATERIAL - 302, 303, 304, OR A-286 CRES
 ↑ THREAD SIZE - M6 X 1,0 4H5H
 ↑ GRIP LENGTH L IN MILLIMETERS - 12 mm
 ↑ OPTIONAL PRIMER ON ALL OUTER SURFACES
 ↑ OPTIONAL TRIMMED BASE

UNLESS OTHERWISE SPECIFIED, ALL DIMENSIONS ARE IN MILLIMETERS AND TOLERANCES ARE AS SHOWN BELOW. DIMENSIONAL TOLERANCES AND SYMBOLS PER ANSI Y14.5M-1982.

PROPRIETARY PARTS SHOWN IN THIS DRAWING ARE THE SUBJECT OF ISSUED UNITED STATES AND FOREIGN PATENTS AND PATENTS PENDING. UNAUTHORIZED REPRODUCTION AND/OR DISTRIBUTION OF THIS DRAWING IS SPECIFICALLY PROHIBITED.

CLICK BOND

CARSON CITY
NEVADA 89706

CAD CB9084-2
METRIC DIMENSIONS

APPROVALS	DATE
DRAWN <i>DAC</i>	31MAR10
CHECKED <i>DAC/mtm</i>	31MAR10
RELEASED <i>ABC/mtm</i>	31MAR10
REVISED <i>DAC</i>	31MAR10

TITLE
BUSHING, LOCKING THREAD, ADHESIVE BONDED

ANGLES	±1°
.X	±0,8
.XX	±0,25

SIZE	CAGE CODE	DWG. NO.	REV.
A	66530	CB9084 (METRIC)	4
SCALE	2/1	31MAR10	SHEET 2 OF 2