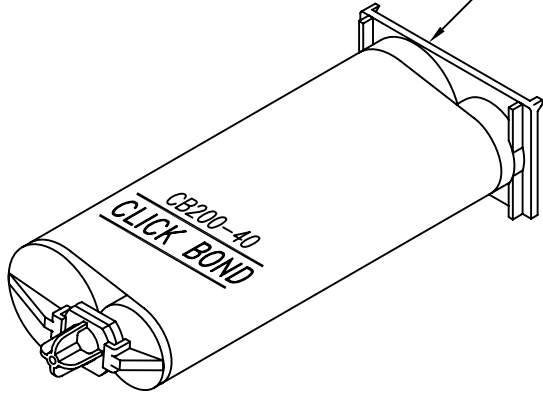


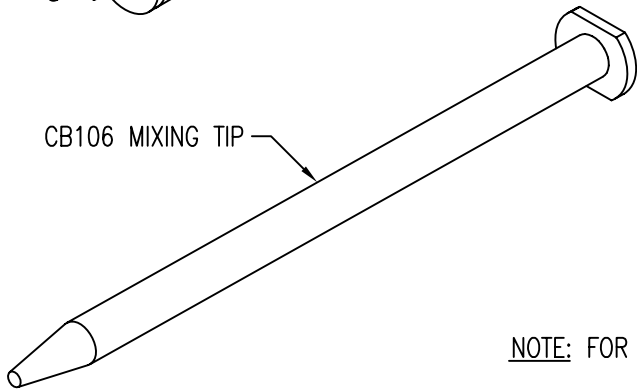
ADHESIVE KIT

POLY BAG OUTER PACKAGE

CB200-40 ADHESIVE DUAL PACK CARTRIDGE
 LOCKHEED 5PTMLG74 ADHESIVE CARTRIDGE



CB106 MIXING TIP



NOTE: FOR USE WITH CB100-81 MANUAL ADHESIVE GUN.

PART NUMBER

CB95

BASIC PART NUMBER

UNLESS OTHERWISE SPECIFIED, ALL DIMENSIONS ARE IN INCHES AND TOLERANCES ARE AS SHOWN BELOW. DIMENSIONAL TOLERANCES AND SYMBOLS PER ANSI Y14.5M-1982.

PROPRIETARY PARTS SHOWN IN THIS DRAWING ARE THE SUBJECT OF ISSUED UNITED STATES AND FOREIGN PATENTS AND PATENTS PENDING. UNAUTHORIZED REPRODUCTION AND/OR DISTRIBUTION OF THIS DRAWING IS SPECIFICALLY PROHIBITED.

CLICK BOND

CARSON CITY
 NEVADA 89706

APPROVALS	DATE
DRAWN RJT	20MAR08
CHECKED <i>[Signature]</i>	20MAR08
RELEASED <i>[Signature]</i>	20MAR08
REVISED RJT	20MAR08

TITLE KIT, ACRYLIC ADHESIVE AND MIXING TIP			
SIZE A	CAGE CODE 66530	DWG. NO. CB95	REV. 1
SCALE 1/1	20MAR08		SHEET 1 OF 1