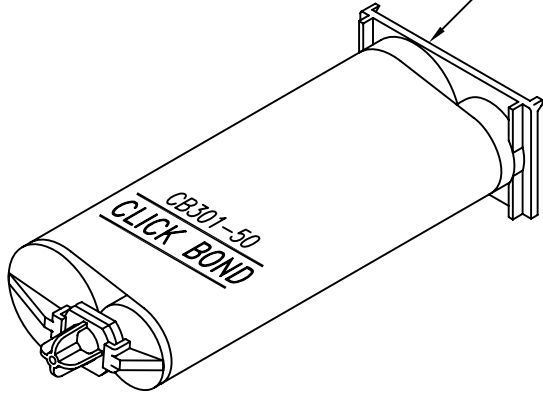


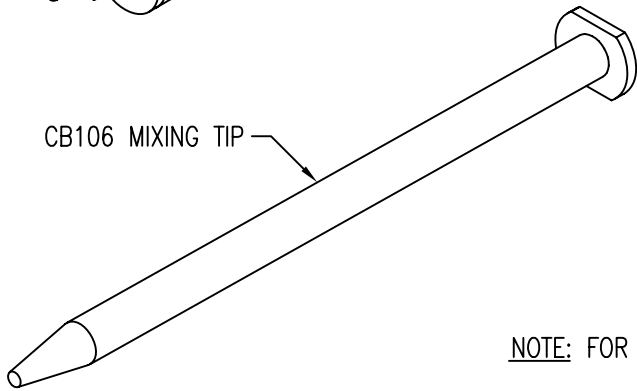
# ADHESIVE KIT

POLY BAG OUTER PACKAGE

CB301-50 ADHESIVE DUAL PACK CARTRIDGE  
 LOCKHEED LMA-MLO13 ADHESIVE CARTRIDGE



CB106 MIXING TIP



NOTE: FOR USE WITH CB100-21 MANUAL ADHESIVE GUN.

PART NUMBER

CB97

BASIC PART NUMBER

UNLESS OTHERWISE SPECIFIED, ALL DIMENSIONS ARE IN INCHES AND TOLERANCES ARE AS SHOWN BELOW. DIMENSIONAL TOLERANCES AND SYMBOLS PER ANSI Y14.5M-1982.

PROPRIETARY PARTS SHOWN IN THIS DRAWING ARE THE SUBJECT OF ISSUED UNITED STATES AND FOREIGN PATENTS AND PATENTS PENDING. UNAUTHORIZED REPRODUCTION AND/OR DISTRIBUTION OF THIS DRAWING IS SPECIFICALLY PROHIBITED.

**CLICK BOND**

CARSON CITY  
 NEVADA 89706

APPROVALS	DATE
DRAWN RJT	20MAR08
CHECKED <i>[Signature]</i>	20MAR08
RELEASED <i>[Signature]</i>	20MAR08
REVISED	

TITLE KIT, EPOXY ADHESIVE AND MIXING TIP			
SIZE A	CAGE CODE 66530	DWG. NO. CB97	REV. 0
SCALE 1/1	20MAR08		SHEET 1 OF 1